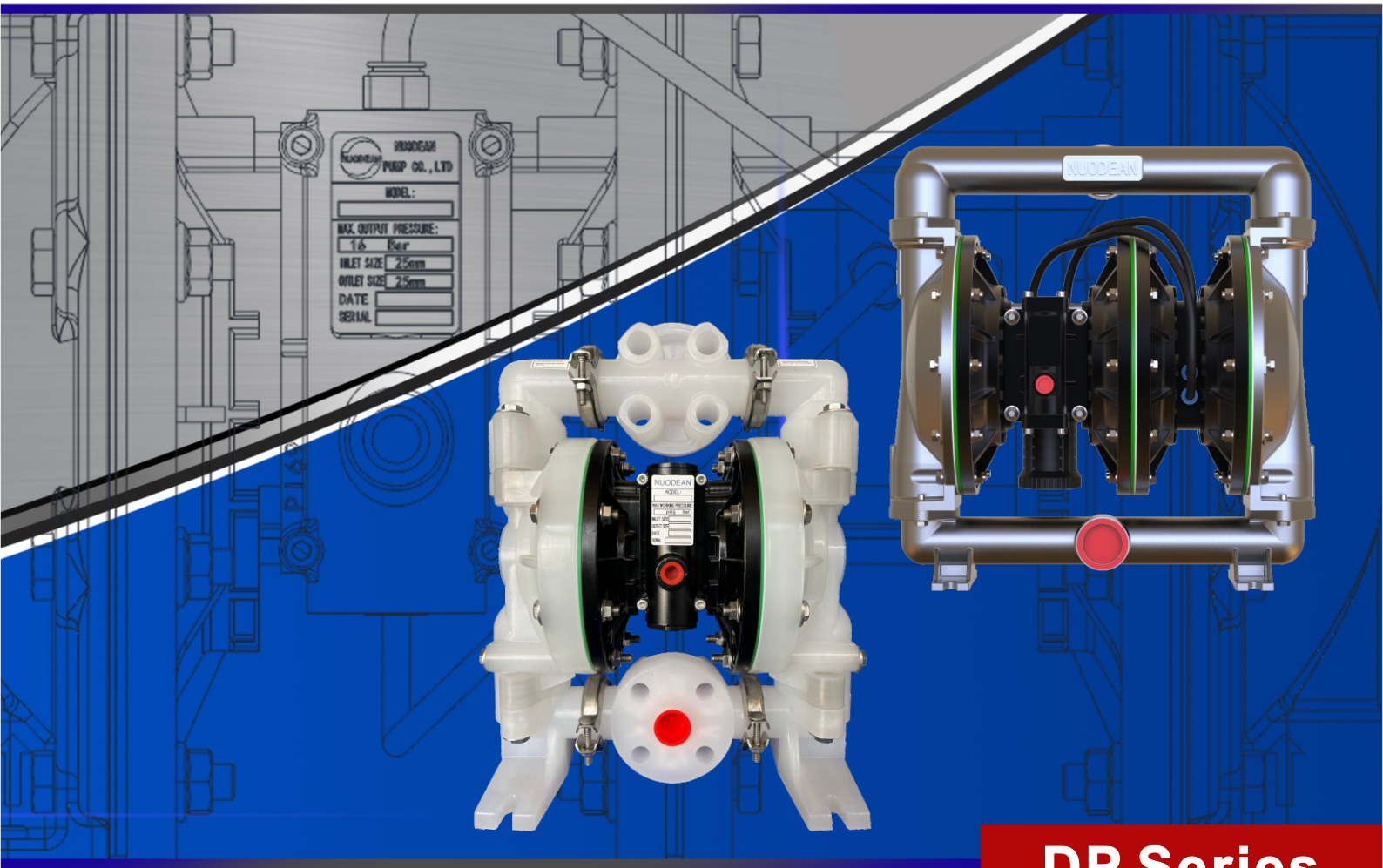




QINGDAO NUODEAN PUMP CO., LTD



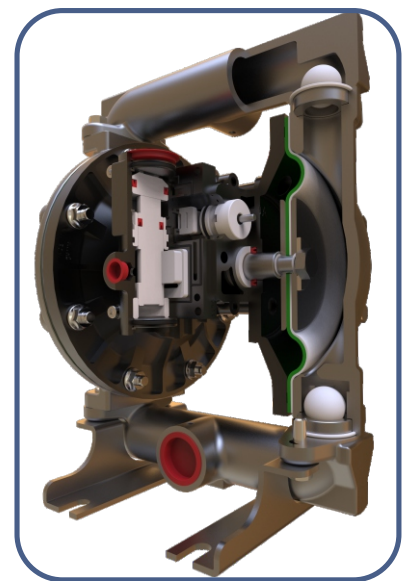
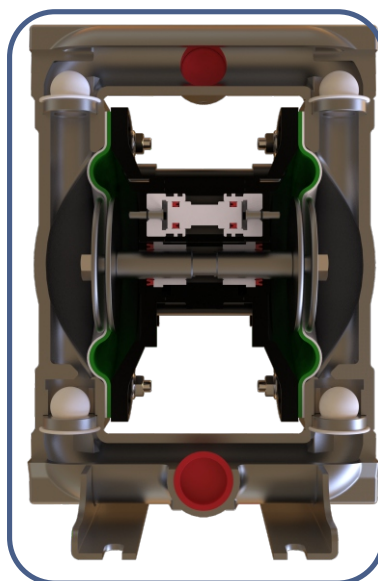
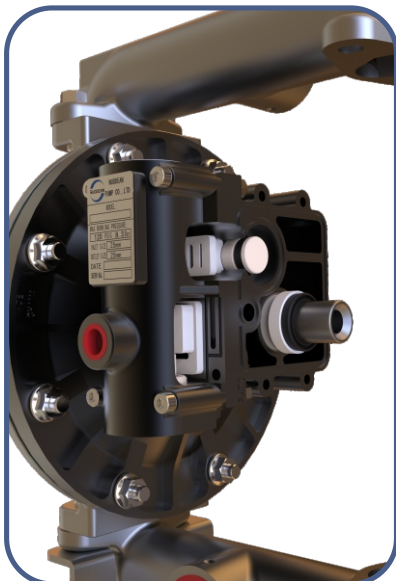
**DP Series**

# AIR OPERATED DIAPHRAGM PUMPS

FOR GENERAL INDUSTRIAL AND OEM INSTALLATION APPLICATIONS

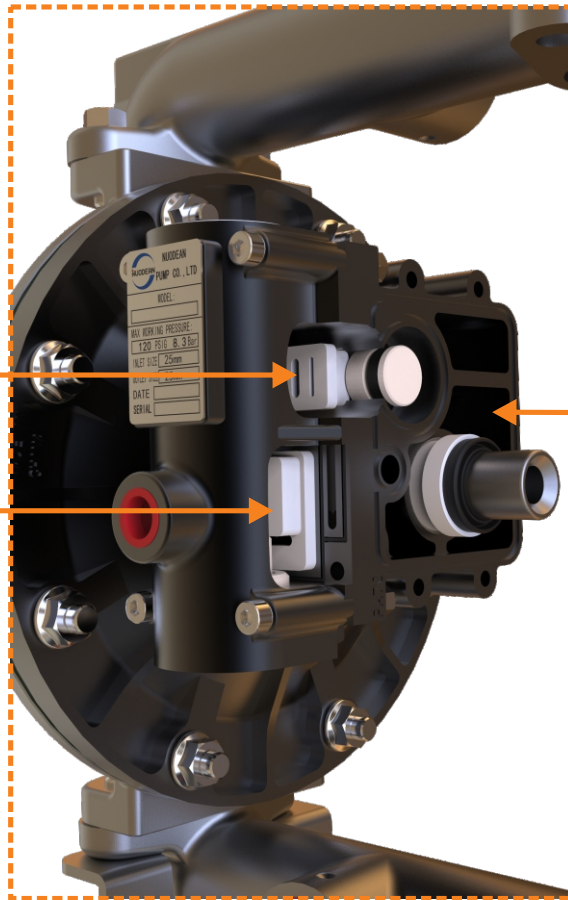
## Contents

Advantages And Features Of Our Products.....	02-04
Working Principle.....	05-06
Company Profile.....	07-08
Product Range.....	09
1/2" Plastic AODD Pump.....	11-12
1" Plastic AODD Pump.....	13-14
1-1/2" Plastic AODD Pump.....	15-16
2" Plastic AODD Pump.....	17-18
1/2" Metallic AODD Pump.....	20-21
1" Metallic AODD Pump.....	22-27
1-1/2" Metallic AODD Pump.....	28-33
2" Metallic AODD Pump.....	34-35
3" Metallic AODD Pump.....	36-37
Dry Powder Diaphragm Pump.....	38-39
1" Triple Diaphragm Pump.....	40-41
1-1/2" Triple Diaphragm Pump.....	42-43
Heavy Duty Flap-valve Pump.....	44-46



**We Have Our Own Patent Knowledge And Technique, We Are Professional In Pneumatic Diaphragm Pump Area.**

**Illustrations**

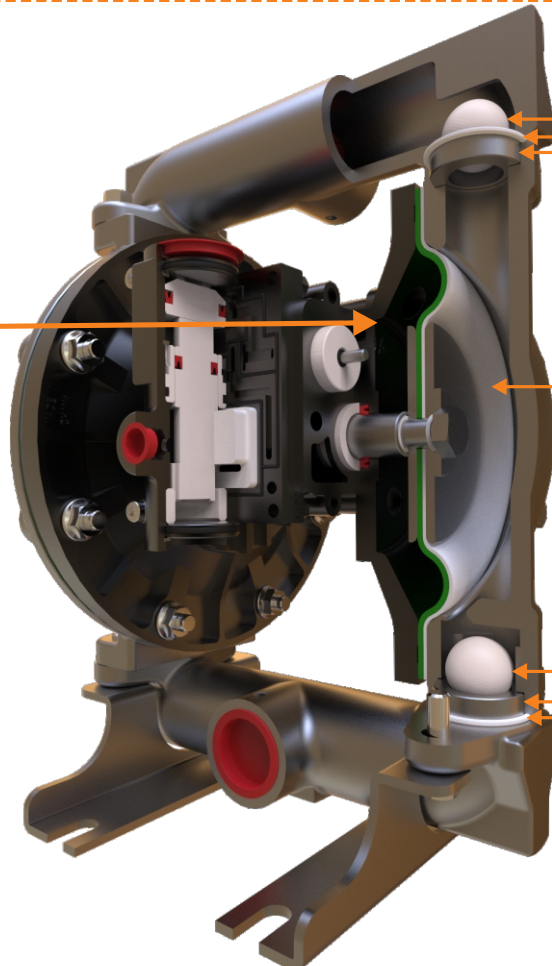


**The Use Of Ceramic Dynamic Seals For Both Of Major Air Valve & Pilot Air Valve**

- More wear-resisting and self-lubricating.
- Better ability to work under polluted and/or dirty air.
- Applicable to the harsh environment of air source.
- Efficient.
- Longer lifetime

**Built-in Energy Dissipation Chamber**

- It effectively reduces the discharge pressure and noise from work.
- It is anti-icing.



**Less Air Consumption**

- The internal shape of the air chamber are optimized to save compressed air.

**Balls, O-rings, Seats**

- Compatible and interchangeable with other brands.
- Easy to buy in the market.

**Diaphragms**

- Compatible and interchangeable with other brands.
- Easy to buy in the market.

**Balls, Seats, O-rings**

- Compatible and interchangeable with other brands.
- Easy to buy in the market.



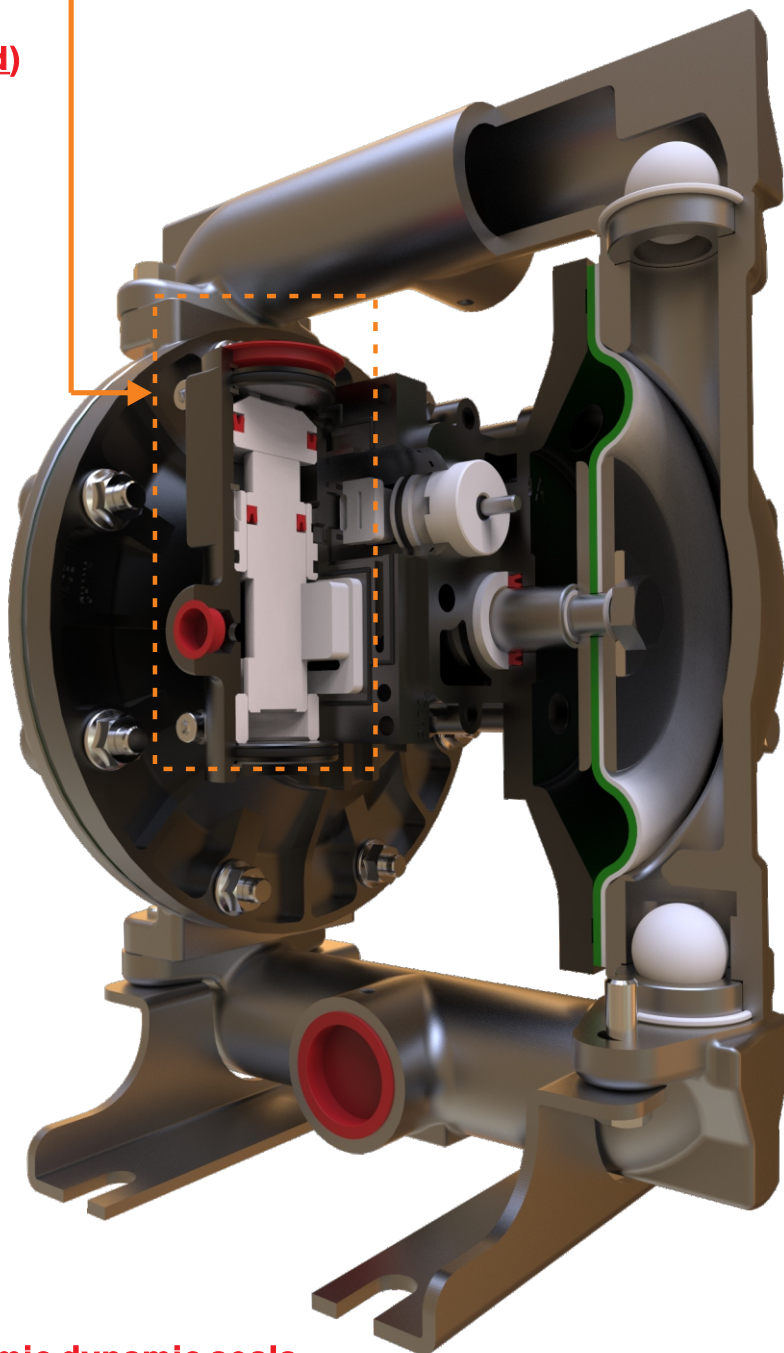
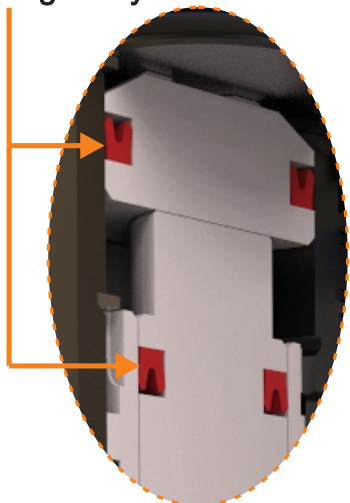
**NUODEAN'S DP3X Series of Air Operated Diaphragm Pumps adopts an improved & enhanced air distribution system, that is mainly composed of Major Air Valve & Pilot Air Valve.**

### Major Air Valve (Patented)

- “stall-free” design.
- The structure is simple; More easier to repair and maintain.
- There are only two dynamic sealing rings used in the major air valve, so the probability of failure due to wear is greatly reduced.
- Maintenance-free and self-lubricating.
- The use of ceramic dynamic seals (long lifetime), so the probability of failure due to wear is greatly reduced.
- The use of Y-type Seals(long lifetime) as dynamic sealing rings.

### Y-type Seals(Only Two Pcs Used)

- Self-sealing, better seal effect.
- Automatic compensation for wear.
- Longer lifetime.
- the probability of failure due to wear is greatly reduced.



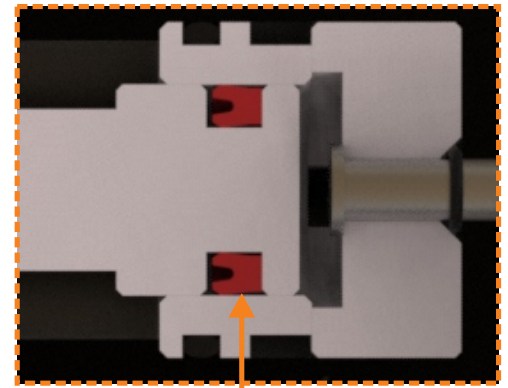
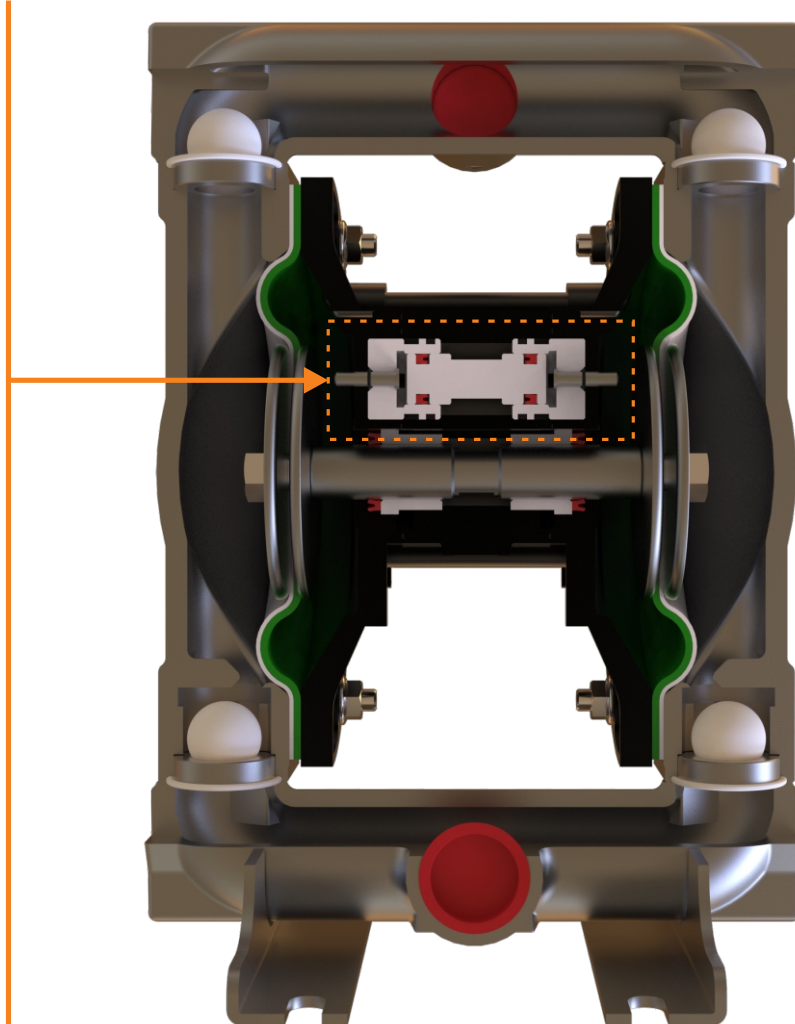
### Ceramic dynamic seals

- More wear-resisting and self-lubricating.
- Better ability to work under polluted and/or dirty air.
- Applicable to the harsh environment of air source.
- Longer lifetime.



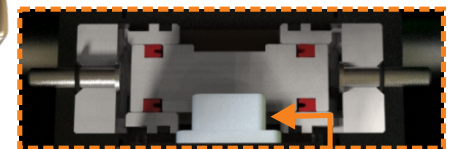
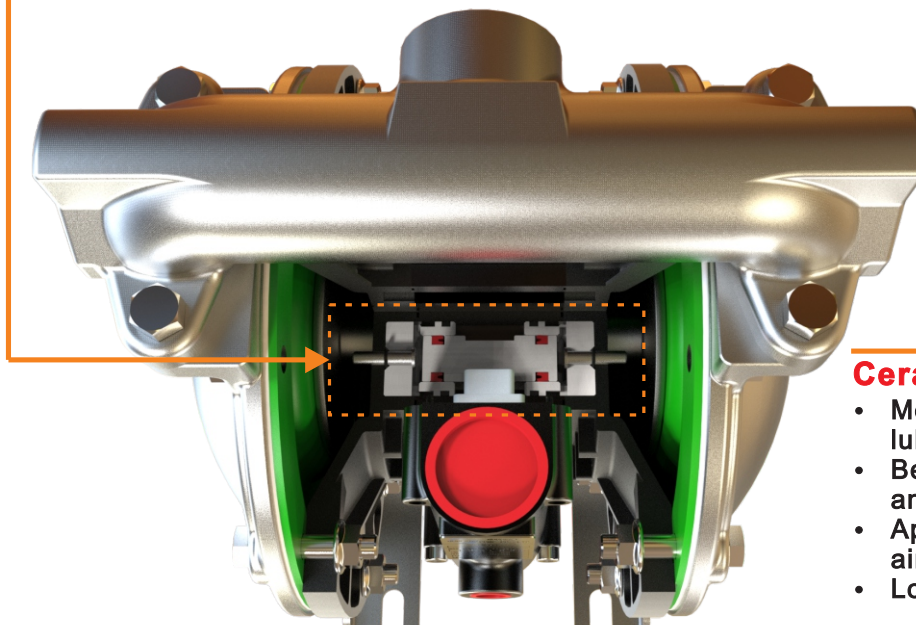
## Pilot Air Valve

- Patented design.
- The structure is simple; Easy to repair and maintain.
- Provides an positive, reliable shift signal; provides faster pump trip-over.
- Maintenance-free and self-lubricating.
- The use of ceramic dynamic seals (long lifetime), so the probability of failure due to wear is greatly reduced.
- The use of Y-type Seals(long lifetime).



### Y-type Seals

- Self-sealing, better seal effect.
- Automatic compensation for wear.
- Longer lifetime.

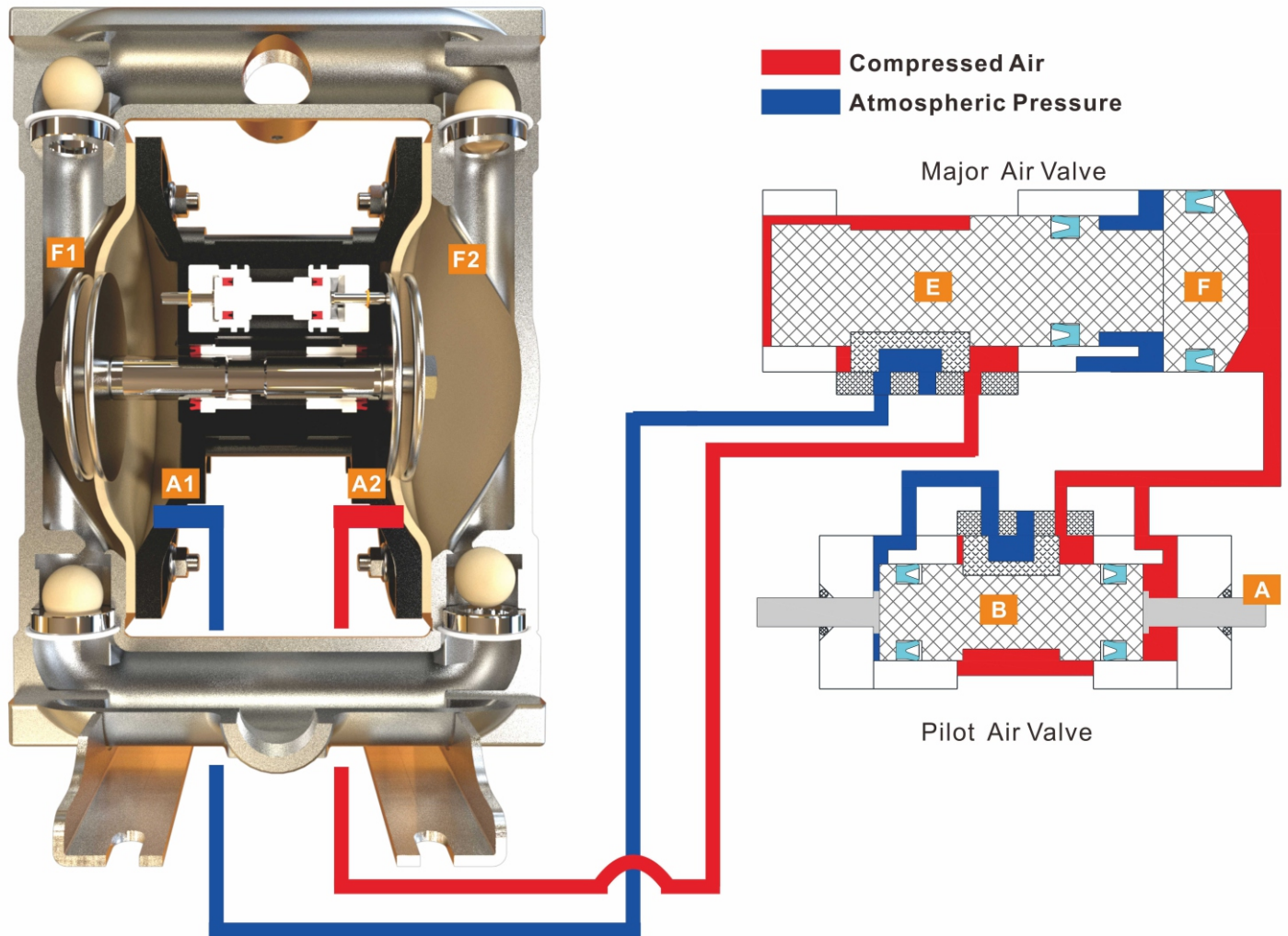


### Ceramic dynamic seals

- More wear-resisting and self-lubricating.
- Better ability to work under polluted and/or dirty air.
- Applicable to the harsh environment of air source.
- Longer lifetime.

## WORKING PRINCIPLE

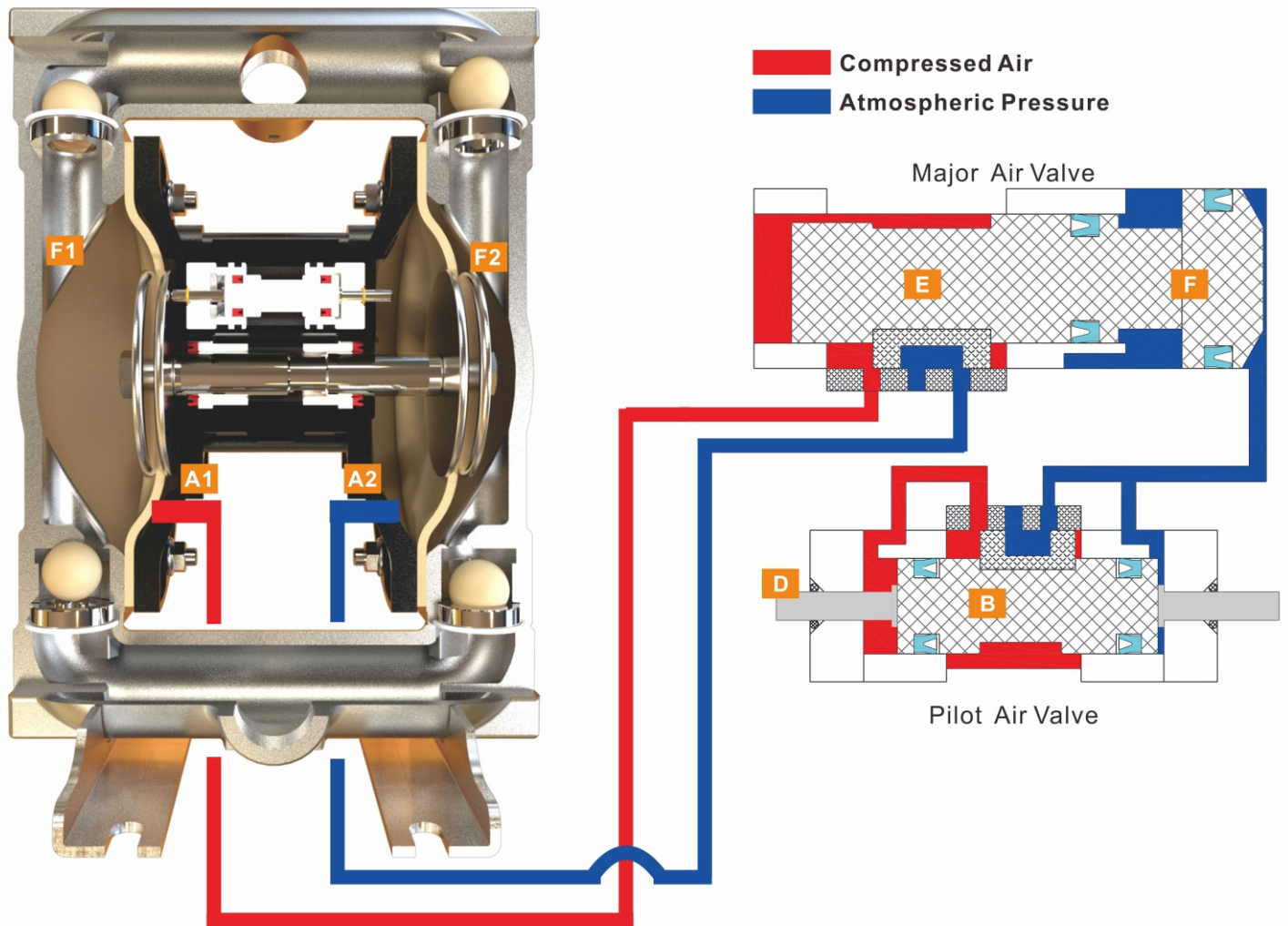
### Diaphragm Moved To The Left



- ① The diaphragm pushes the right Actuator Pin(A) mechanically moving the spool (B) to the left.
- ② Compressed air flows to the right end of pilot air valve, pneumatically moving the spool (B) to the position shown.
- ③ Compressed air also flows to the large end (right end) of the Major Air Valve, acting on the right side of piston (F) to push piston (F) & spool (E) to the left and holds them in position because the area of the right side of piston (F) is bigger than the left side of spool (E).
- ④ When the diaphragms arrives at the left end of the stroke, the left air chamber A1 of the pump is connected to the exhaust port through the Major Air Valve. Then the air pressure in the left air chamber A1 is discharged. At the same time, the right air chamber A2 of the pump is connected with compressed air through the Major Air Valve, and then is filled with the compressed air quickly.
- ⑤ The compressed air in the right air chamber A2 of the pump pushes the diaphragms to start moving to the right.
- ⑥ The left liquid chamber F1 of the pump start to become larger due to the diaphragms' moving to the right, then start to suck in the liquid from the inlet of the pump; At the same time, the volume of the right liquid chamber F2 of the pump start to decrease, and then the liquid in the right liquid chamber F2 starts to be pumped to the outlet of the pump.



**WORKING PRINCIPLE** continued

**Diaphragm Moved To The Right**


- ① The diaphragm pushes the left Actuator Pin (D) mechanically moving the spool (B) to the right.
- ② Compressed air flows to the left end of pilot air valve, pneumatically moving the spool (B) to the position shown.
- ③ Constant compressed air supply acting on the left side of the spool (E), shifts the piston (F) & spool (E) to the right and holds them in position because the compressed air in the right end of the Major Air Valve is exhausted.
- ④ When the diaphragms arrives at the right end of the stroke, the right air chamber A2 of the pump is connected to the exhaust port through the Major Air Valve. Then the air pressure in the right air chamber A2 is discharged. At the same time, the left air chamber A1 of the pump is connected with compressed air through the Major Air Valve, and then is filled with the compressed air quickly.
- ⑤ The compressed air in the left air chamber A1 of the pump pushes the diaphragms to start moving to the left.
- ⑥ The right liquid chamber F2 of the pump start to become larger due to the diaphragms' moving to the left, then start to suck in the liquid from the inlet of the pump; At the same time, the volume of the left liquid chamber F1 of the pump start to decrease, and then the liquid in the left liquid chamber F1 starts to be pumped to the outlet of the pump.



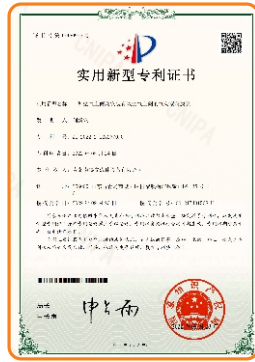
# COMPANY INTRODUCTION

Qingdao Nuodean Pump Co., Ltd, located in Qingdao, Shandong, China, is a company specializing in the research and development, production, sales and service of diaphragm pumps. Our company has been established for many years and has rich professional knowledge and relevant experience. Since the establishment of the company, the products have been sold to many countries around the world. The product quality and performance have been verified by on-site use for many years, and have been recognized and praised by customers. We have our own professional technology and have obtained a number of patents, we are professional in the field of pneumatic diaphragm pumps.

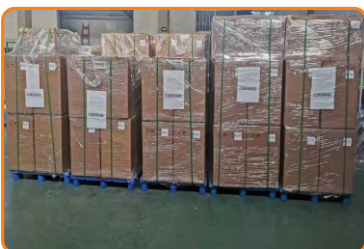
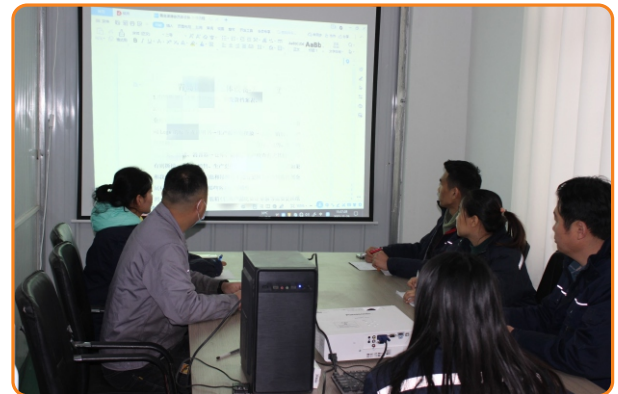
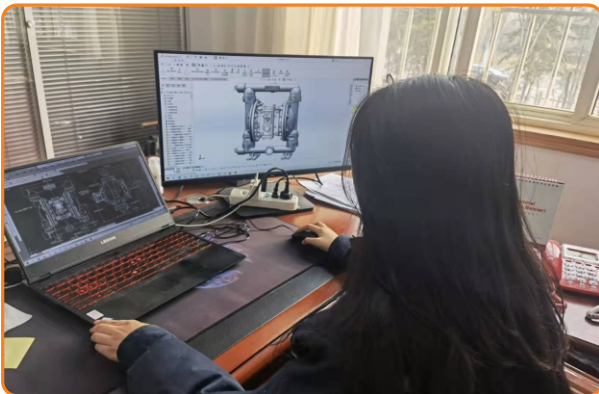
Our company has always pursued "excellence and continuous innovation" to make products more perfect. Our company has developed multiple generations of products. **DP3X** series products are the new generation of products of our company. In addition to inheriting the advantages of previous products, this generation of products has been further improved and has more advantages.

In addition to the DP series products independently developed by our company, there are other series of products, such as WA series, ZG series, etc., to meet the needs of different user groups.

Thank you for reading the introduction about our company. Our company believes that we can cooperate very quickly, and our company believes that our cooperation will be very exciting and brilliant. We will benefit from each other, make progress together, and move towards tomorrow's brilliance and success.







# Product Range:

## Non-Metallic Air Operated Double Diaphragm Pump

■ 1/2"



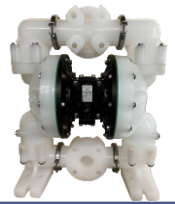
■ 1"



■ 1-1/2"



■ 2"

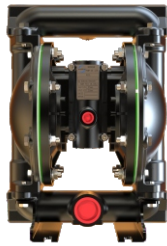


## Aluminum Air Operated Double Diaphragm Pump

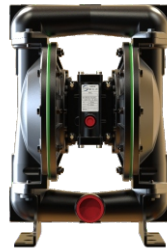
■ 1/2"



■ 1"



■ 1-1/2"



■ 2"



■ 3"

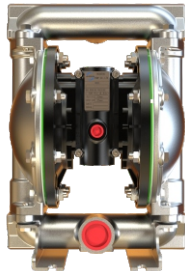


## Stainless Steel Air Operated Double Diaphragm Pump

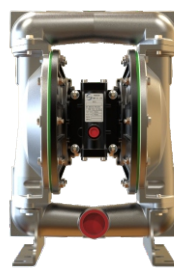
■ 1/2"



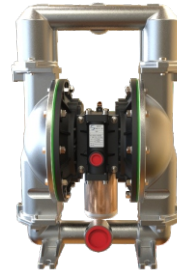
■ 1"



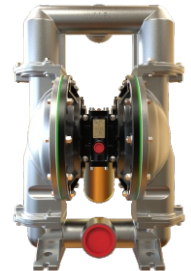
■ 1-1/2"



■ 2"

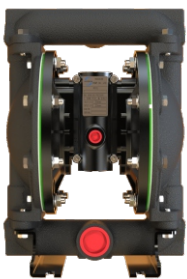


■ 3"



## Cast Iron Air Operated Double Diaphragm Pump

■ 1"



■ 1-1/2"



■ 2"



■ 3"



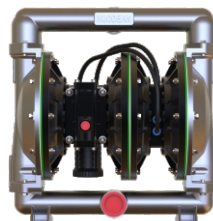
## Powder Diaphragm Pump

■ 1-1/2", 2", 3"



## Triple Diaphragm Pump

■ 1", 1-1/2", 2", 3"

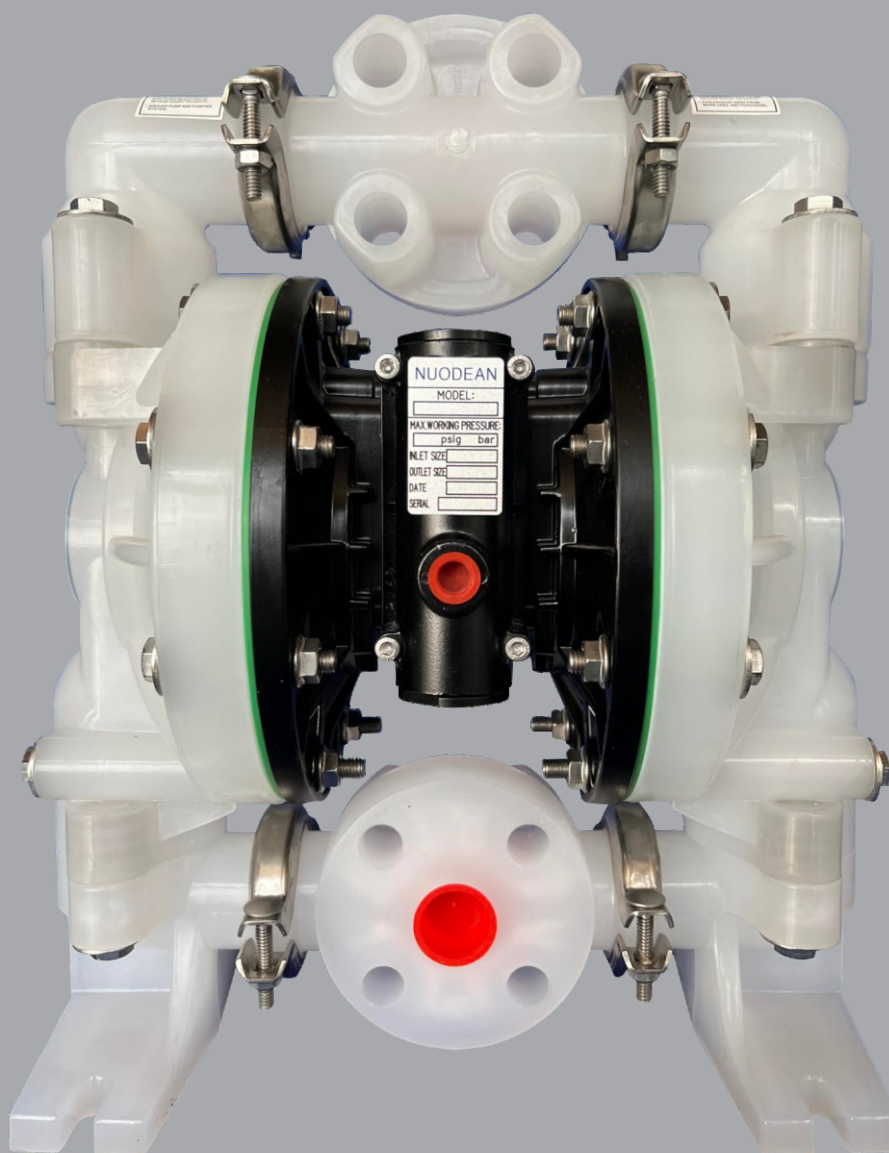


## Heavy Duty Flap-Valve Pump

■ 2", 3"







## Non-Metallic Models

The NUODEAN non-metallic offering consists of Polypropylene, acetal and PVDF.

## 1/2" NON-METALLIC Models

### SPECIFICATIONS:

**Air Inlet(female):** 1/4"BSPT(1/4"NPT Available On Request)

**Fluid Outlet(female):** 1/2-14 NPT

**Fluid Inlet(female):** 1/2-14 NPT

**Maximum Flow Rate:** 13GPM(49.2LPM)

**Max. Operating Pressure:** 100psi(6.9bar)

**Suspended Solids Max. Dia.:** 3/32"(2.4mm)

**Sound Level:**70psi 60 cycles/min. 71.1db(A)



### MODEL DESCRIPTION & ORDERING:

DP31	-	15	X	X	X	X	X	X	X
		Pump Size	Center Body Mat.	Fluid Caps & Manifold Mat.	Seat Material	Ball Check Material	Diaphragm Material	Fluid Connections	Hardware

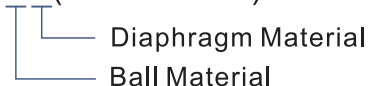
Pump Size	15-1/2"								
Center Body Mat.	A-Aluminum				P-Polypropylene				
Fluid Caps & Manifold Mat.	J - Polypropylene/Single Piece Manifold				3 - Polypropylene/ 3-Piece Manifold			4 -PVDF(Kynar)	
Seat Material	0 - (Duck Bill)		2 - Stainless Steel		3 - Polypropylene		4-PVDF(Kynar)		
Ball Check Material	1-Neoprene		2-Nitrile		3-Viton		4-PTFE		
	5-E.P.R.		8-Polyurethane		A-Stainless Steel		E-Santoprene		
Diaphragm Material	1-Neoprene		2-Nitrile		3-Viton		4-PTFE/Santoprene		
	5-E.P.R.		8-Polyurethane		9-Hytrell		B-Santoprene		
Fluid Connections	N-NPT Threads		B-BSP Threads						
Hardware	S-Stainless Steel								

### ACCESSORIES:

#### Service Repair Kits:

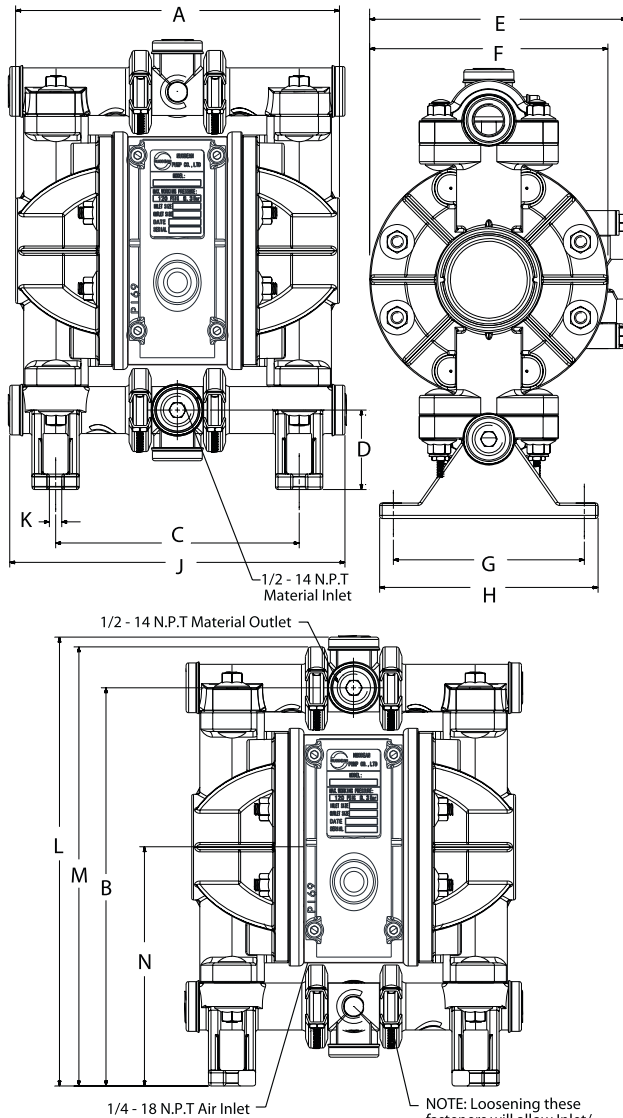
DP31-Air15(air section)

DP31-Flu15P-XX(fluid section)



# 1/2" NON-METALLIC Models

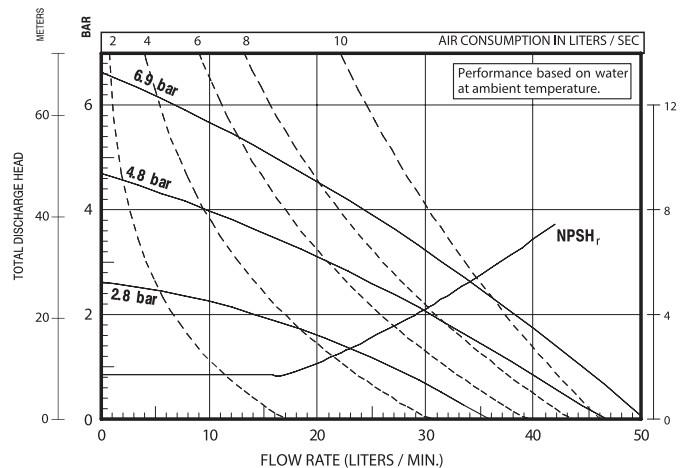
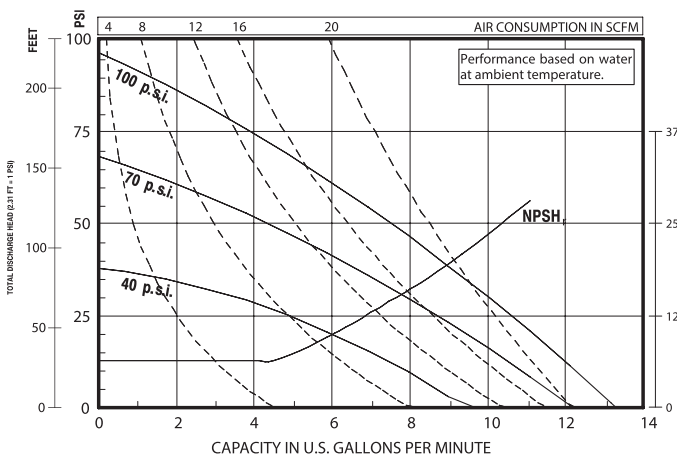
## DIMENSIONS:



- A - 8.155 (207.1 mm)
- B - 10.051 (255 mm)
- C - 6.135 (155.8 mm)
- D - 2.005 (51 mm)
- J - 8.445 (215 mm)
- K - 0.312 (8 mm)
- L - 11.331 (288 mm)
- M - 11.084 (282 mm)
- N - 6.040 (153 mm)
- E - 6.467 (164 mm)
- F - 6.000 (152 mm)
- G - 4.812 (122.2 mm)
- H - 5.500 (140 mm)

NOTE: Loosening these fasteners will allow Inlet/Outlet to rotate  
 NOTE: Dimensions are shown in inches and (mm) and are supplied for reference only.

## PERFORMANCE CURVE:





# 1" NON-METALLIC Models

## SPECIFICATIONS:

**Air Inlet(female):** 1/4"BSPT(1/4"NPT Available On Request)

**Fluid Outlet(female):** 1" ANSI/DIN Flange

**Fluid Inlet(female):** 1" ANSI/DIN Flange

**Maximum Flow Rate:** 47.6GPM(180LPM)

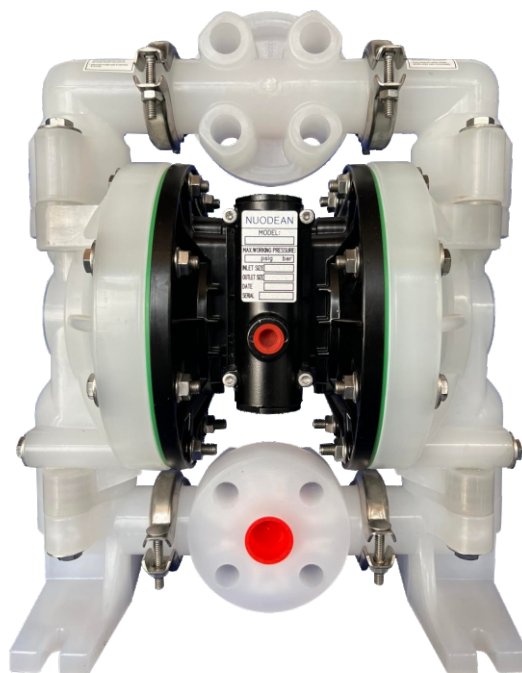
**Max. Operating Pressure:** 120psi(8.3bar)

**Suspended Solids Max. Dia.:** 1/8"(3.2mm)

**Maximum Dry Suction Lift:** 15feet(4.6m)

**Weight:** 20.3 lbs(9.2kg)

**Sound Level:**70psi 60 cycles/min. 64.5db(A)



## MODEL DESCRIPTION & ORDERING:

DP31	-	25	X	X	X	X	X	X	X
		Pump Size	Center Body Mat.	Fluid Caps & Manifold Mat.	Seat Material	Ball Check Material	Diaphragm Material	Fluid Connections	Hardware

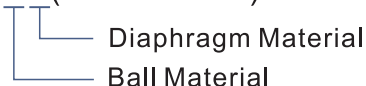
Pump Size	25-1"								
Center Body Mat.	A-Aluminum				P-Polypropylene				
Fluid Caps Manifold Mat.	3 - Polypropylene				4 -PVDF(Kynar)				
Seat Material	2 - 316 Stainless Steel		3 - Polypropylene		4-PVDF(Kynar)		8-Hard Stainless Steel		
Ball Check Material	1-Neoprene		2-Nitrile		3-Viton		4-PTFE		
	5-E.P.R.		8-Polyurethane		C-Hytrel		E-Santoprene		
Diaphragm Material	1-Neoprene		2-Nitrile		3-Viton		4-PTFE/Santoprene		
	5-E.P.R.		6-Composite PTFE		9-Hytrel		B-Santoprene		
Fluid Connections	F-ANSI 150 Flange		N-NPT Threads		B-BSP Threads				
Hardware	S-Stainless Steel								

## ACCESSORIES:

### Service Repair Kits:

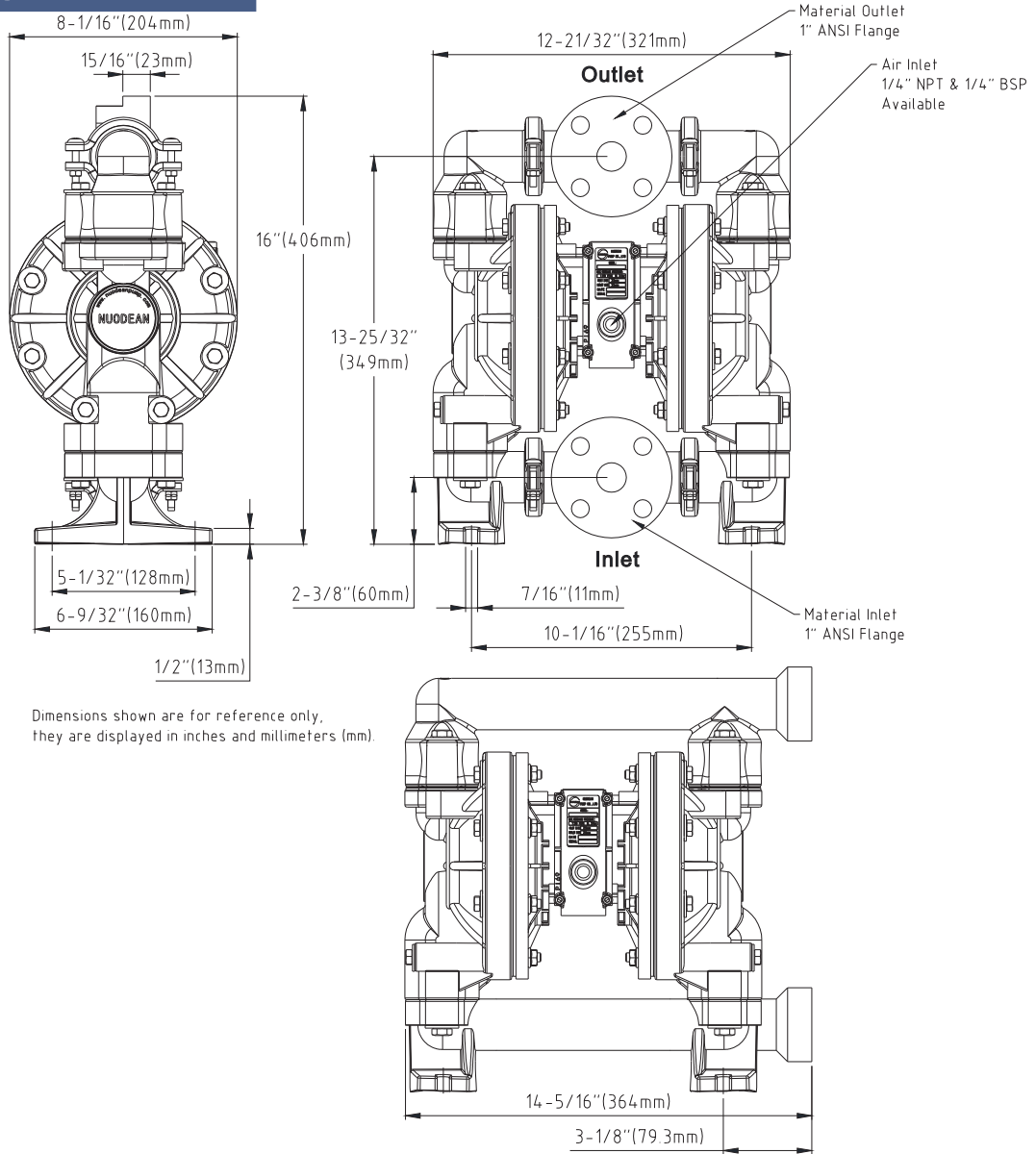
DP31-Air25(air section)

DP31-Flu25P-XX(fluid section)

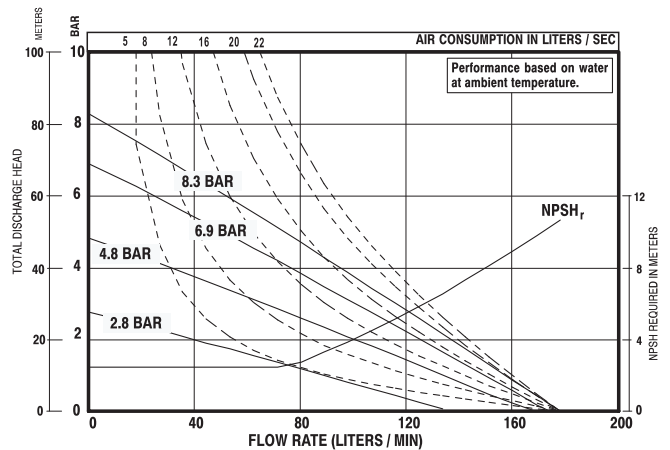
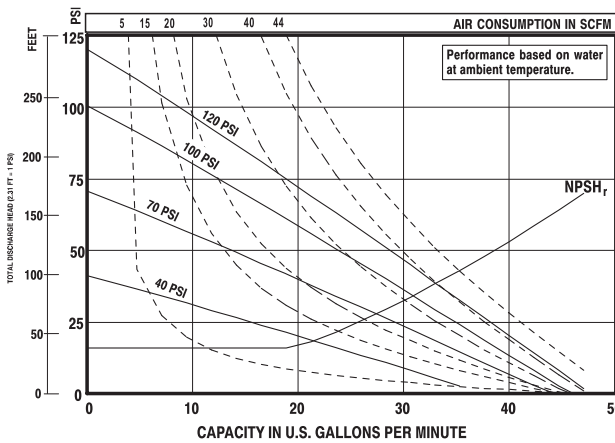


# 1" NON-METALLIC Models

## DIMENSIONS:



## PERFORMANCE CURVE:



# 1-1/2" NON-METALLIC Models

## SPECIFICATIONS:

**Air Inlet(female):** 3/8"BSPT(3/8"NPT Available On Request)

**Fluid Outlet:** 1-1/2" ANSI/DIN Flange

**Fluid Inlet:** 1-1/2" ANSI/DIN Flange

**Maximum Flow Rate:** 102GPM(386LPM)

**Max. Operating Pressure:** 120psi(8.3bar)

**Suspended Solids Max. Dia.:** 1/4"(6.4mm)

**Maximum Dry Suction Lift:** 14feet(4.27m)

**Weight:** 62 lbs(28.1kg)

**Sound Level:**70psi 60 cycles/min. 77.7db(A)



## MODEL DESCRIPTION & ORDERING:

DP21	-	40	X	X	X	X	X	X	X
		Pump Size	Center Body Mat.	Fluid Caps & Manifold Mat.	Seat Material	Ball Check Material	Diaphragm Material	Fluid Connections	Hardware

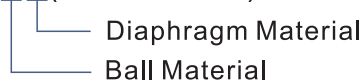
Pump Size	40-1.5"								
Center Body Mat.	A-Aluminum				P-Polypropylene				
Fluid Caps & Manifold Mat.	3 - Polypropylene(Colorless)				P-Polypropylene(Grey)		4 -PVDF(Kynar)		
Seat Material	2 - 316 Stainless Steel		3 - Polypropylene		4-PVDF(Kynar)		8-Hard Stainless Steel		
Ball Check Material	1-Neoprene		2-Nitrile		3-Viton		4-PTFE		
	5-E.P.R.		8-Polyurethane		C-Hytrel		E-Santoprene		
Diaphragm Material	1-Neoprene		2-Nitrile		3-Viton		4-PTFE/Santoprene		
	5-E.P.R.		6-Composite PTFE		9-Hytrel		B-Santoprene		
Fluid Connections	F-ANSI 150 Flange		N-NPT Threads		B-BSP Threads				
Hardware	S-Stainless Steel								

## ACCESSORIES:

### Service Repair Kits:

DP21-Air40(air section)

DP21-Flu40P-XX(fluid section)

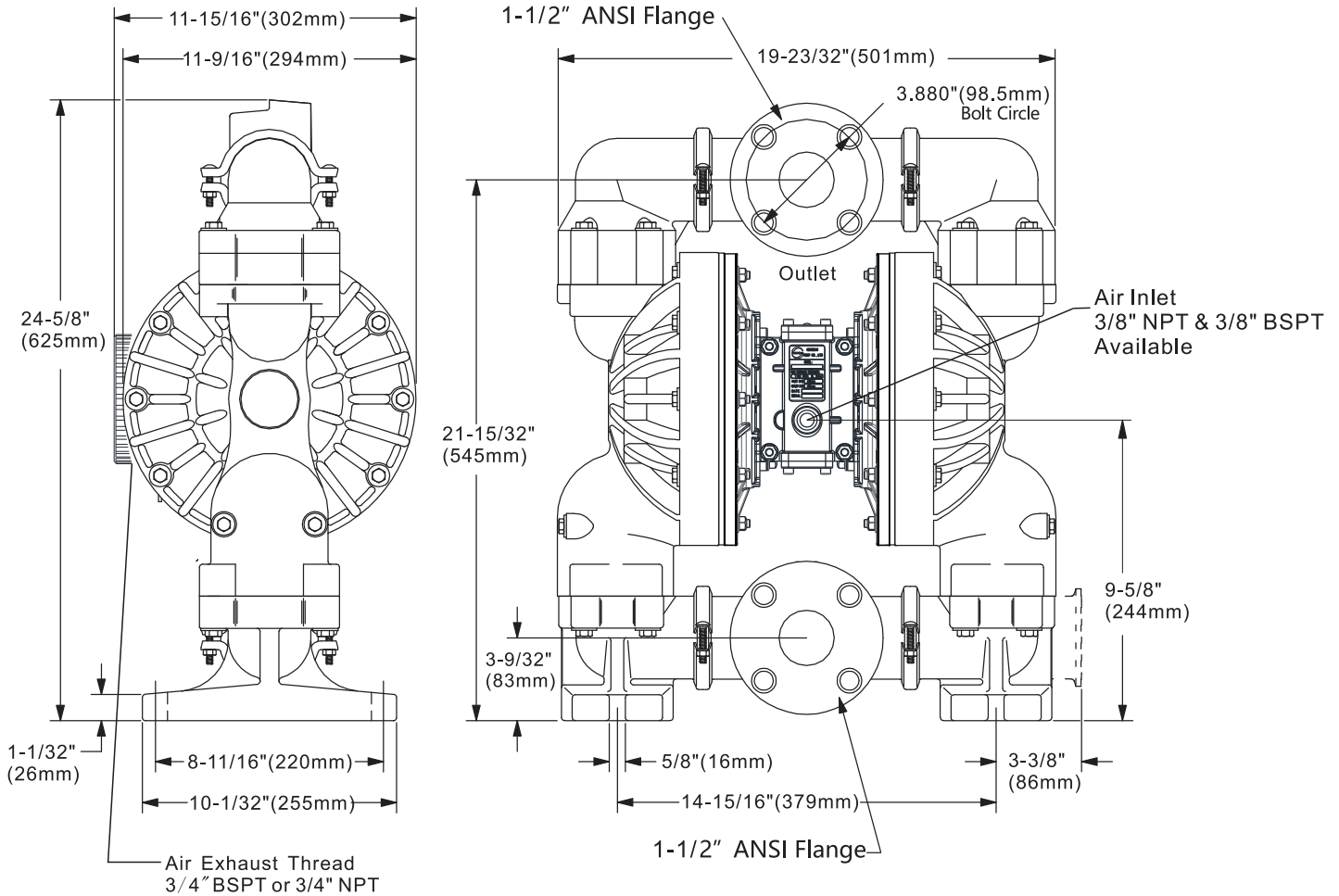




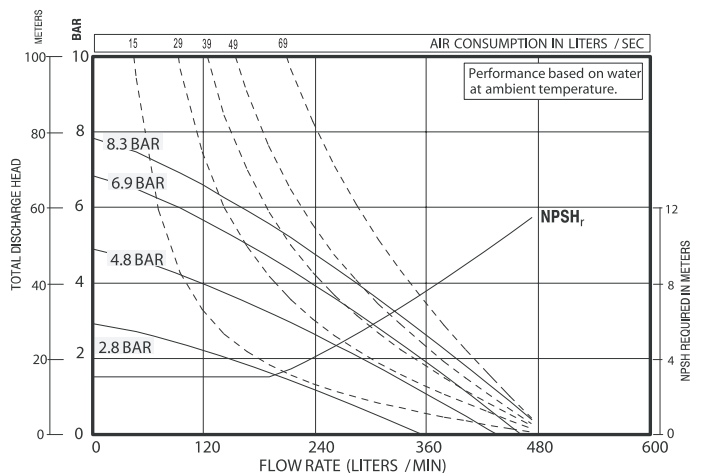
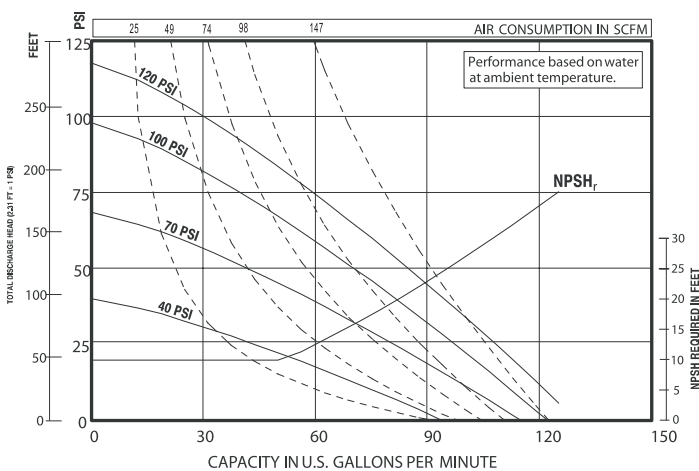
# 1-1/2" NON-METALLIC Models

## DIMENSIONS:

All dimensions are given in inches and millimeters (mm).



## PERFORMANCE CURVE:



## 2" NON-METALLIC Models

### SPECIFICATIONS:

**Air Inlet(female):** 3/8"BSPT(3/8"NPT Available On Request)

**Fluid Outlet:** 2" ANSI/DIN Flange

**Fluid Inlet:** 2" ANSI/DIN Flange

**Maximum Flow Rate:** 149GPM(565LPM)

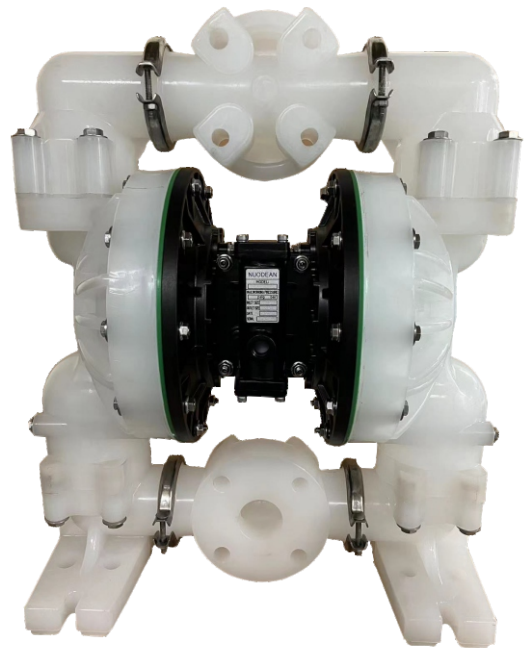
**Max. Operating Pressure:** 120psi(8.3bar)

**Suspended Solids Max. Dia.:** 1/4"(6.4mm)

**Maximum Dry Suction Lift:** 14feet(4.27m)

**Weight:** 62 lbs(28.1kg)

**Sound Level:**70psi 60 cycles/min. 77.7db(A)



### MODEL DESCRIPTION & ORDERING:

DP21	-	50	X	X	X	X	X	X	X
		Pump Size	Center Body Mat.	Fluid Caps & Manifold Mat.	Seat Material	Ball Check Material	Diaphragm Material	Fluid Connections	Hardware

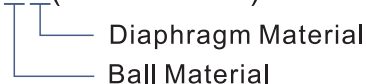
Pump Size	50-2"								
Center Body Mat.	A-Aluminum				P-Polypropylene				
Fluid Caps & Manifold Mat.	3 - Polypropylene(Colorless)				P-Polypropylene(Grey)		4 -PVDF(Kynar)		
Seat Material	2 - 316 Stainless Steel		3 - Polypropylene		4-PVDF(Kynar)		8-Hard Stainless Steel		
Ball Check Material	1-Neoprene		2-Nitrile		3-Viton		4-PTFE		
	5-E.P.R.		8-Polyurethane		C-Hytrel		E-Santoprene		
Diaphragm Material	1-Neoprene		2-Nitrile		3-Viton		4-PTFE/Santoprene		
	5-E.P.R.		6-Composite PTFE		9-Hytrel		B-Santoprene		
Fluid Connections	F-ANSI 150 Flange		N-NPT Threads		B-BSP Threads				
Hardware	S-Stainless Steel								

### ACCESSORIES:

#### Service Repair Kits:

DP21-Air40(air section)

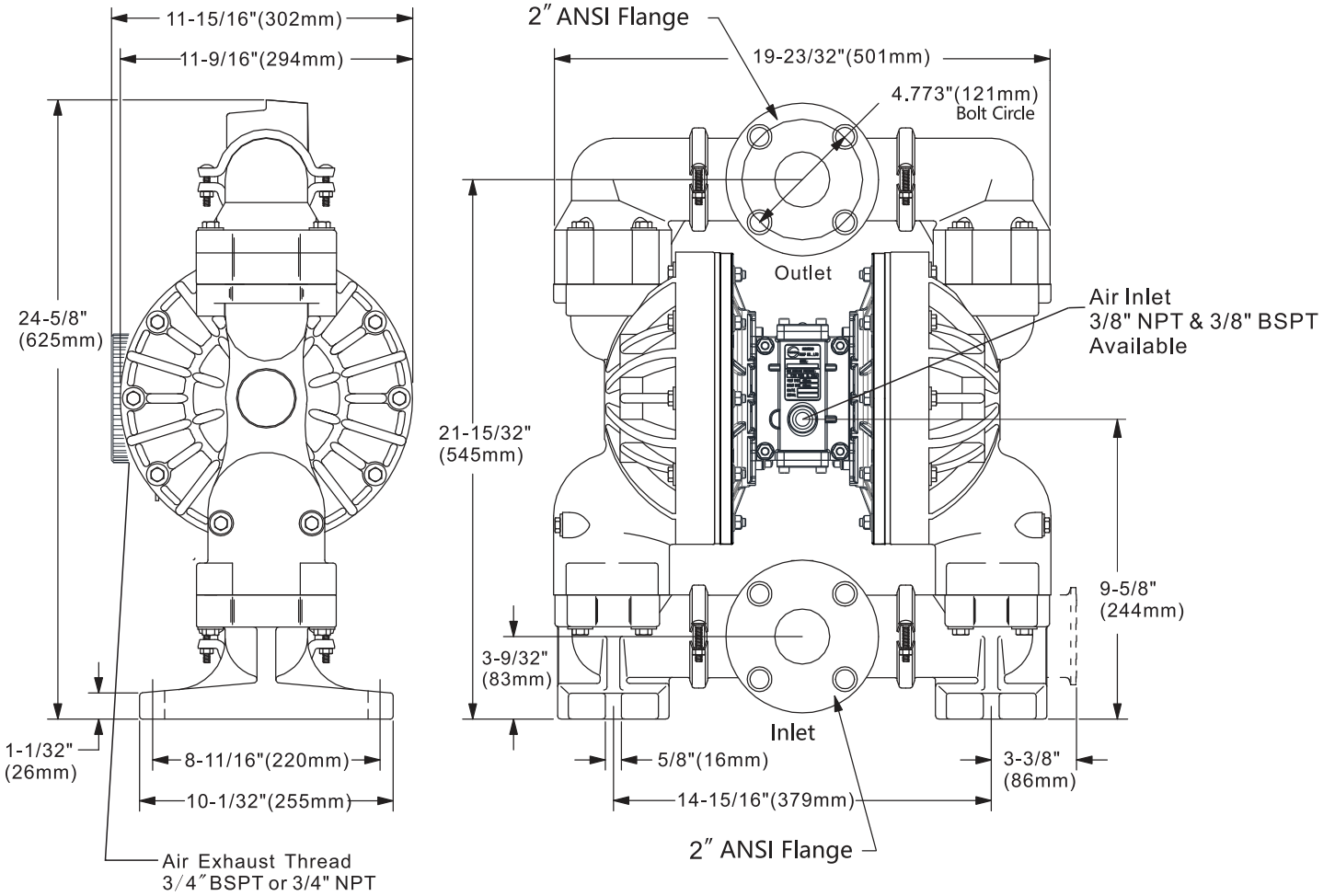
DP21-Flu40P-XX(fluid section)



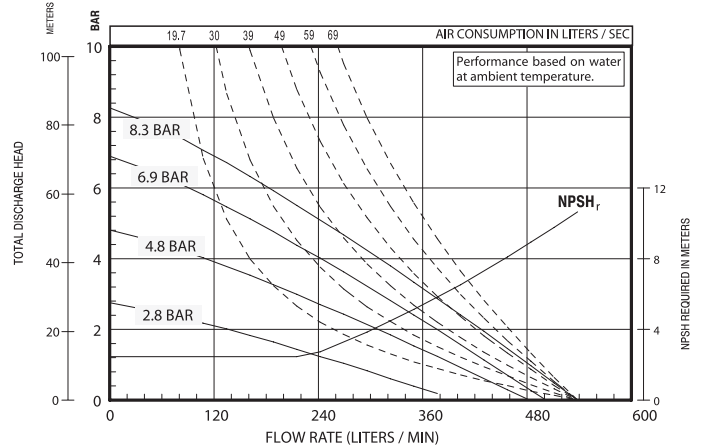
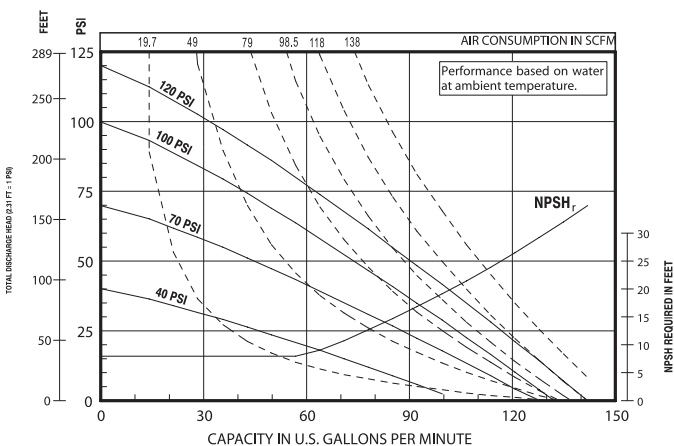
# 2" NON-METALLIC Models

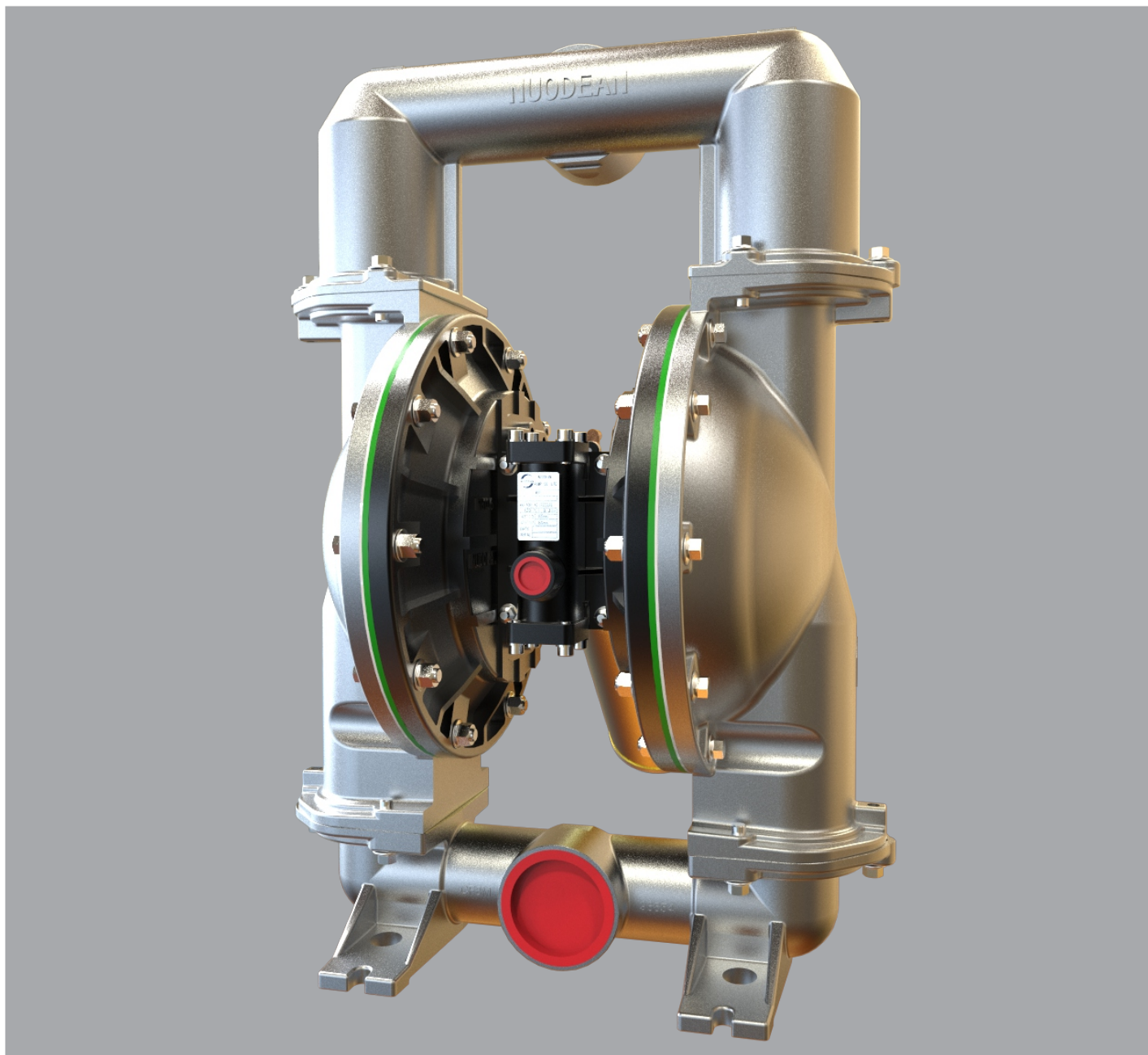
## DIMENSIONS:

All dimensions are given in inches and millimeters (mm).



## PERFORMANCE CURVE:






---

## Metallic Models

The NUODEAN range of diaphragm pumps offers many materials of construction compatible for the chemical industry: Our metallic offering consists of aluminum, cast iron, stainless steel.



## 1/2" METALLIC Models

### SPECIFICATIONS:

**Air Inlet(female):** 1/4"BSPT(1/4"NPT Available On Request)

**Fluid Outlet:** Rp 1/2 (1/2-14 BSP,parallel)  
1/2-14 NPT

**Fluid Inlet:** Rp 1/2 (1/2-14 BSP,parallel)  
1/2-14 NPT

**Maximum Flow Rate:** 13GPM(49.2LPM)

**Max. Operating Pressure:** 100psi(6.9 bar)

**Suspended Solids Max. Dia.:** 3/32"(2.4mm)

**Maximum Dry Suction Lift:** 15feet(4.5m)

**Weight:** (4.7kg)

**Sound Level:**70psi 60 cycles/min. 71.1db(A)



### MODEL DESCRIPTION & ORDERING:

DP31	-	15	X	X	X	X	X	X	X
		Pump Size	Center Body Mat.	Fluid Caps Manifold Mat.	Seat Material	Ball Check Material	Diaphragm Material	Fluid Connections	Hardware

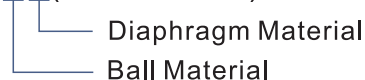
Pump Size	15-1/2"								
Center Body Mat.	A-Aluminum				R-Polypropylene				
Fluid Caps Manifold Mat.	A - Aluminum				S -Stainless Steel				
Seat Material	F - Aluminum		P - Polypropylene		S - Stainless Steel				
Ball Check Material	A-Santoprene		C-Hytrel		G-Nitrile			S-Stainless Steel	
	T-PTFE		U-Polyurethane		V-Viton				
Diaphragm Material	A-Santoprene		C-Hytrel		G-Nitrile				
	T-PTFE/Santoprene		U-Polyurethane		V-Viton				
Fluid Connections	N-NPT Threads				B-BSP Threads				
Hardware	S-Stainless Steel				C-Carbon Steel				

### ACCESSORIES:

#### Service Repair Kits:

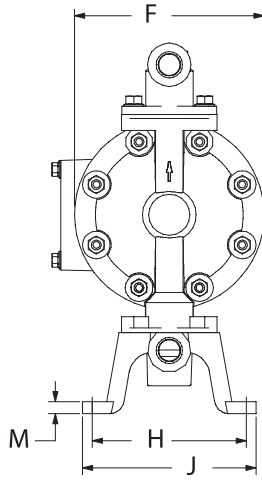
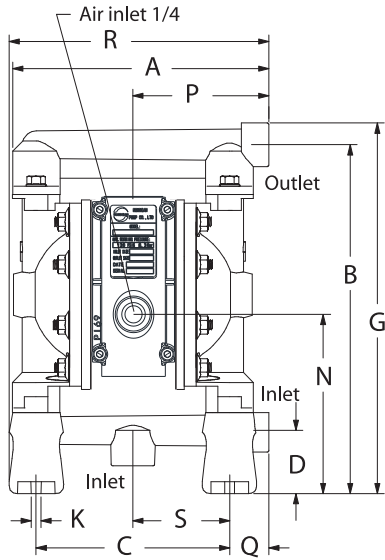
DP31-Air15(air section)

DP31-Flu15 - XX(fluid section)



# 1/2" METALLIC Models

## DIMENSIONS:

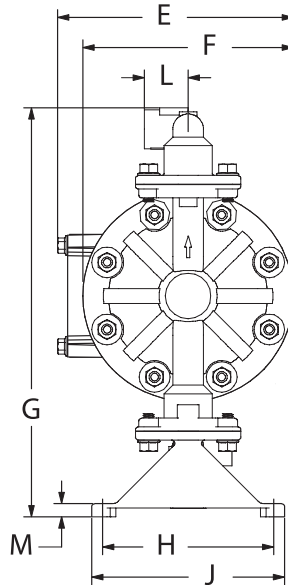
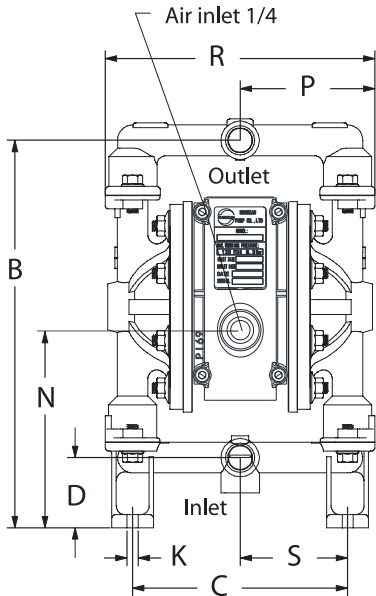


### DIMENSIONS

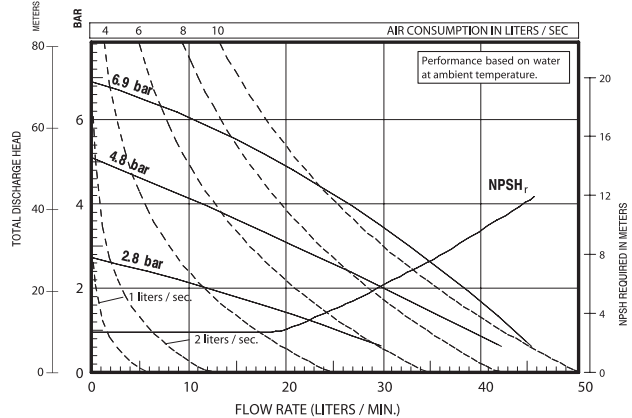
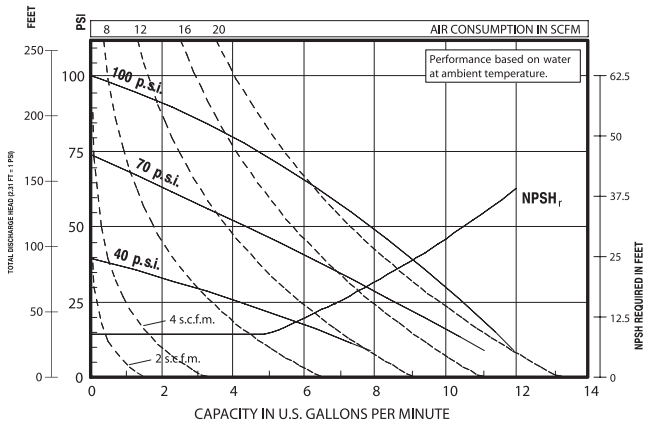
- |                       |                     |                      |
|-----------------------|---------------------|----------------------|
| A 8-1/8" (206.0 mm)   | G see below         | N 6-5/16" (159.9 mm) |
| B 11-1/16" (280.4 mm) | H 4-7/8" (123.8 mm) | P see below          |
| C 6-1/8" (155.6 mm)   | J 5-1/2" (139.7 mm) | Q 1-1/4" (31.6 mm)   |
| D 2" (50.8 mm)        | K 5/16" (8.0 mm)    | R see below          |
| E see below           | L 1-1/4" (31.8 mm)  | S 3-1/16" (77.8 mm)  |
| F 6" (152.4 mm)       | M 3/8" (9.5 mm)     |                      |

### Dimension

- "E" 6-23/32" (170.6 mm)
- "G" 11-21/32" (296.0 mm)
- "P" 3-27/32" (97.4 mm)
- "R" 7-11/16" (194.9 mm)



## PERFORMANCE CURVE:



# 1" METALLIC Models

## SPECIFICATIONS:

**Air Inlet(female):** 1/4"BSPT(1/4"NPT Available On Request)

**Fluid Outlet:** Rp 1 (1-11 BSP,parallel)  
1-11 1/2 NPT

**Fluid Inlet:** Rp 1 (1-11 BSP,parallel)  
1-11 1/2 NPT

**Maximum Flow Rate:** 36 GPM(136 LPM)

**Max. Operating Pressure:** 120psi(8.3 bar)

**Suspended Solids Max. Dia.:** 1/8"(3.2mm)

**Maximum Dry Suction Lift:** 20feet(6.1m)

**Weight:** aluminum-19 lbs(8.6kg);  
stainless steel-36 lbs(16.3kg);  
cast iron-31 lbs(14.1kg);

**Sound Level:**70psi 60 cycles/min. 64.5db(A)



## MODEL DESCRIPTION & ORDERING:

DP31	-	25	X	X	X	X	X	X	X
		Pump Size	Center Body Mat.	Fluid Caps Manifold Mat.	Seat Material	Ball Check Material	Diaphragm Material	Fluid Connections	Hardware

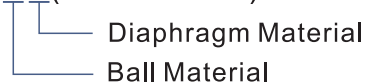
Pump Size	25-1"								
Center Body Mat.	A-Aluminum					C-Cast Iron			
Fluid Caps Manifold Mat.	A - Aluminum					S -Stainless Steel		C-Cast Iron	
Seat Material	1 - Aluminum			2 - 316 Stainless Steel		3-Polypropylene		4-PVDF(Kynar)	
	5-Carbon Steel			8-Hard 400 Stainless Steel					
Ball Check Material	1-Neoprene			2-Nitrile		3-Viton		4-PTFE	
	5-E.P.R			6-Acetal		8-Polyurethane		A-Stainless Steel	
	C-Hytrel					E-Santoprene			
Diaphragm Material	1-Neoprene			2-Nitrile		3-Viton		4-PTFE/Santoprene	
	5-E.P.R			6-Acetal		9-Hytrel		B-Santoprene	
	G-Nitrile								
Fluid Connections	N-NPT Threads					B-BSP Threads			
Hardware	S-Stainless Steel					C-Carbon Steel			

## ACCESSORIES:

### Service Repair Kits:

DP31-Air25(air section)

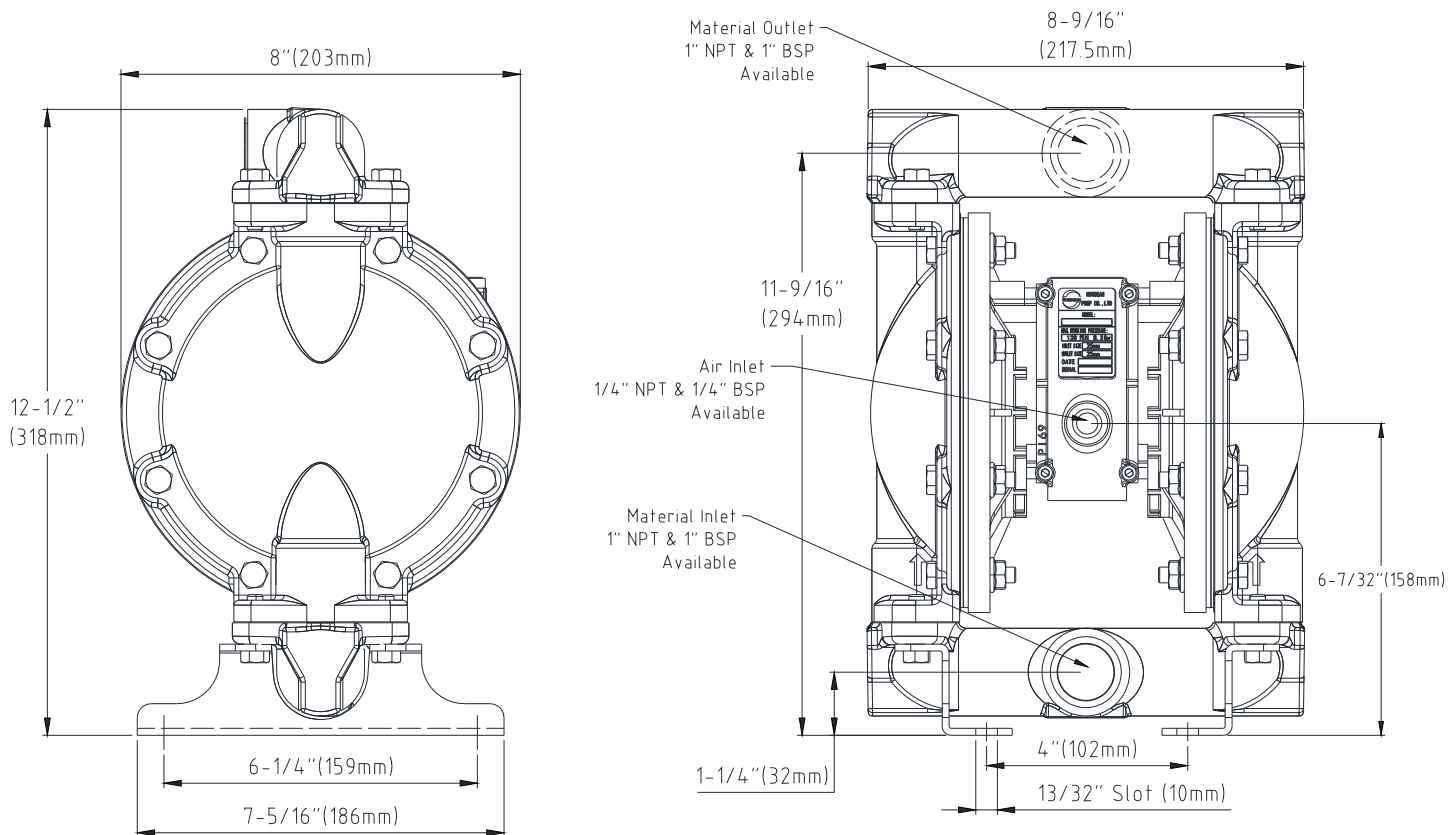
DP31-Flu25 - XX(fluid section)





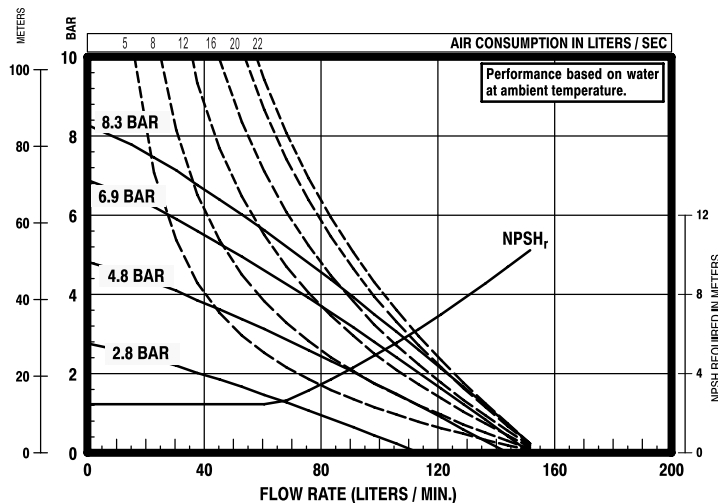
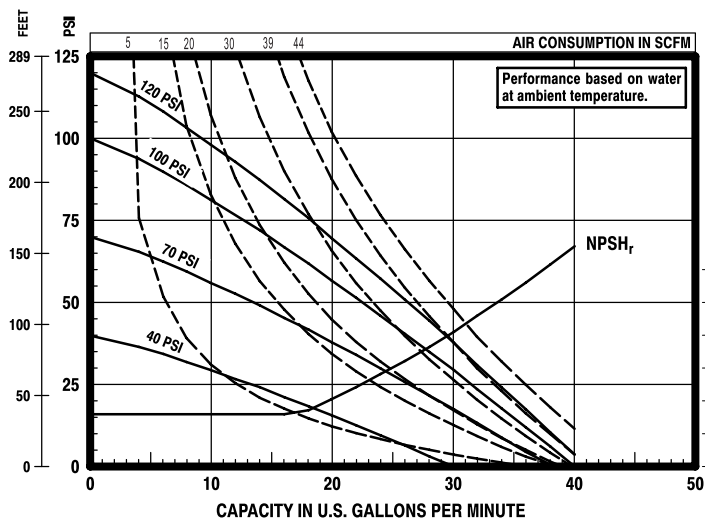
# 1" METALLIC Models

## DIMENSIONS:



Dimensions shown are for reference only, they are displayed in inches and millimeters (mm).

## PERFORMANCE CURVE:



# 1" METALLIC Models( With Side Ports)

## SPECIFICATIONS:

**Air Inlet(female):** 1/4"BSPT(1/4"NPT Available On Request)

**Fluid Outlet:** Rp 1 (1-11 BSP,parallel)  
1-11 1/2 NPT

**Fluid Inlet:** Rp 1 (1-11 BSP,parallel)  
1-11 1/2 NPT

**Maximum Flow Rate:** 36 GPM(136 LPM)

**Max. Operating Pressure:** 120psi(8.3 bar)

**Suspended Solids Max. Dia.:** 1/8"(3.2mm)

**Maximum Dry Suction Lift:** 20feet(6.1m)

**Weight:** aluminum-19 lbs(8.6kg);  
stainless steel-36 lbs(16.3kg);  
cast iron-31 lbs(14.1kg);

**Sound Level:**70psi 60 cycles/min. 64.5db(A)



## MODEL DESCRIPTION & ORDERING:

DP31S	-	25	X	X	X	X	X	X	X
		Pump Size	Center Body Mat.	Fluid Caps Manifold Mat.	Seat Material	Ball Check Material	Diaphragm Material	Fluid Connections	Hardware

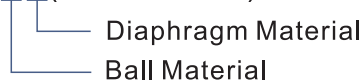
Pump Size	25-1"								
Center Body Mat.	A-Aluminum				C-Cast Iron				
Fluid Caps Manifold Mat.	A - Aluminum				S -Stainless Steel		C-Cast Iron		
Seat Material	1 - Aluminum		2 - 316 Stainless Steel		3-Polypropylene		4-PVDF(Kynar)		
	5-Carbon Steel		8-Hard 400 Stainless Steel						
Ball Check Material	1-Neoprene		2-Nitrile		3-Viton		4-PTFE		
	5-E.P.R		6-Acetal		8-Polyurethane		A-Stainless Steel		
	C-Hytrel				E-Santoprene				
Diaphragm Material	1-Neoprene		2-Nitrile		3-Viton		4-PTFE/Santoprene		
	5-E.P.R		6-Acetal		9-Hytrel		B-Santoprene		
	G-Nitrile								
Fluid Connections	N-NPT Threads				B-BSP Threads				
Hardware	S-Stainless Steel				C-Carbon Steel				

## ACCESSORIES:

### Service Repair Kits:

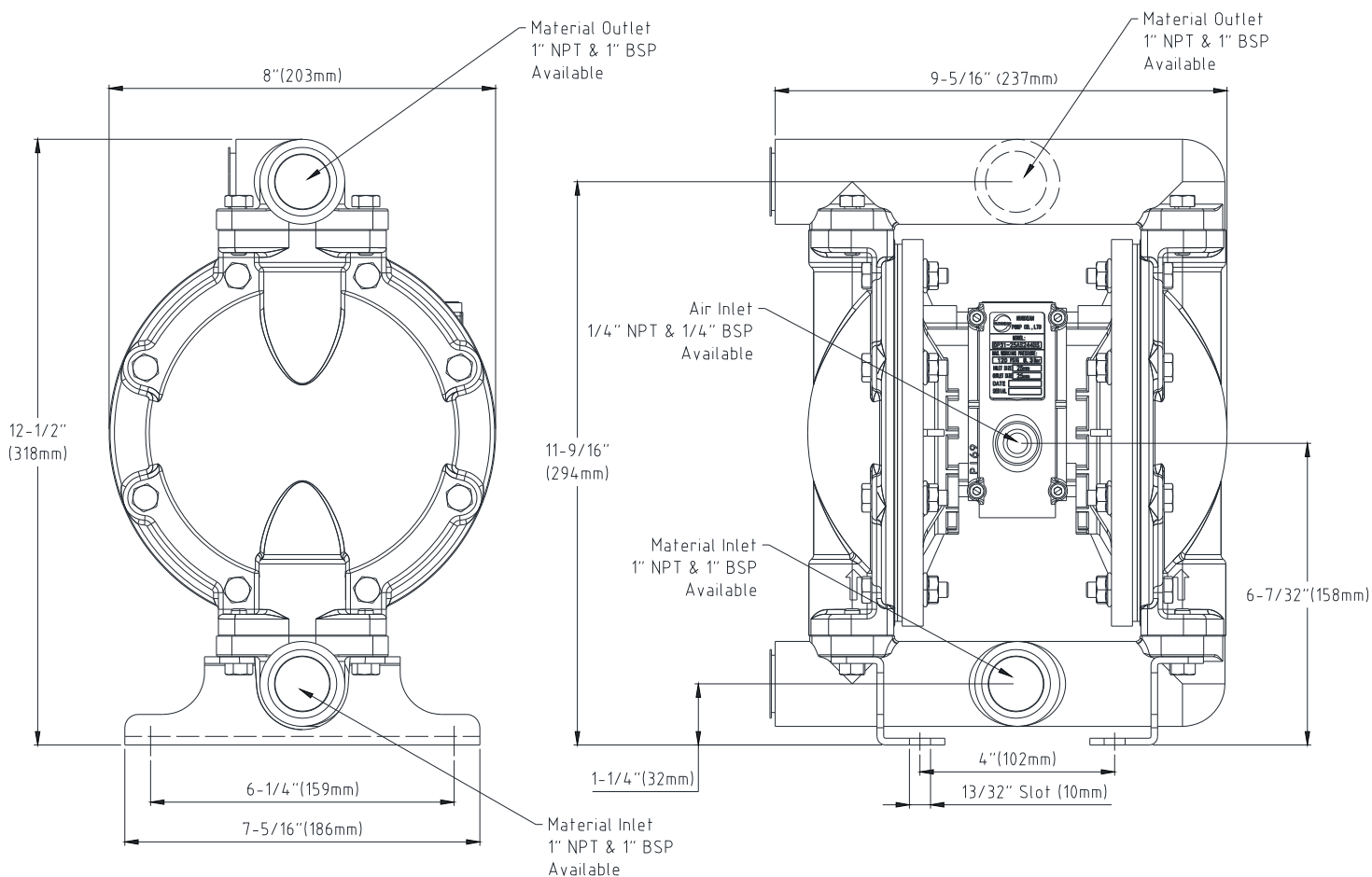
DP31-Air25(air section)

DP31-Flu25 - XX(fluid section)

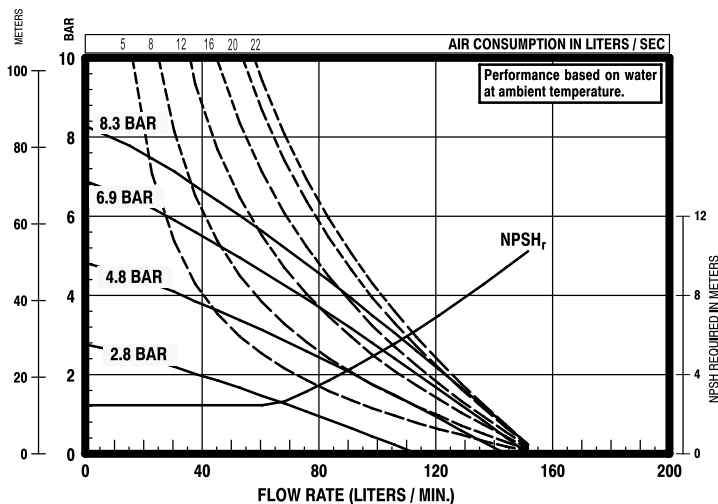
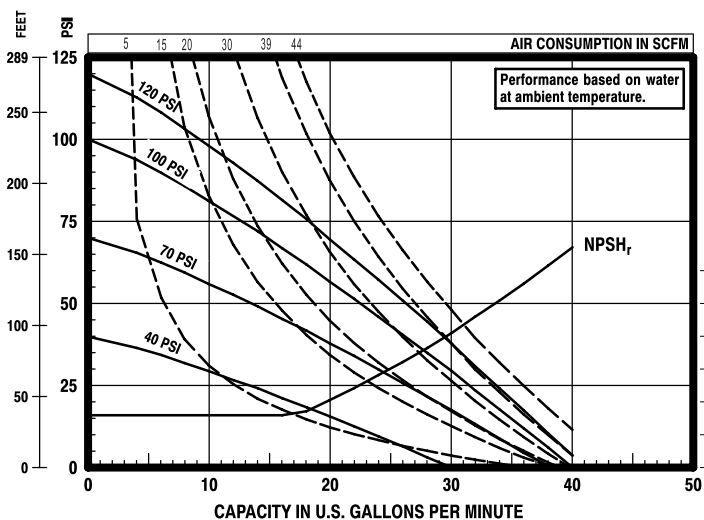


# 1" METALLIC Models( With Side Ports)

## DIMENSIONS:



## PERFORMANCE CURVE:





# 1" METALLIC Models( With Integral Foot)

## SPECIFICATIONS:

**Air Inlet(female):** 1/4"BSPT(1/4"NPT Available On Request)

**Fluid Outlet:** Rp 1 (1-11 BSP,parallel)  
1-11 1/2 NPT

**Fluid Inlet:** Rp 1 (1-11 BSP,parallel)  
1-11 1/2 NPT

**Maximum Flow Rate:** 36 GPM(136 LPM)

**Max. Operating Pressure:** 120psi(8.3 bar)

**Suspended Solids Max. Dia.:** 1/8"(3.2mm)

**Maximum Dry Suction Lift:** 20feet(6.1m)

**Weight:** aluminum-19 lbs(8.6kg);  
stainless steel-36 lbs(16.3kg);  
cast iron-31 lbs(14.1kg);

**Sound Level:**70psi 60 cycles/min. 64.5db(A)



## MODEL DESCRIPTION & ORDERING:

DP31T	-	25	X	X	X	X	X	X	X
		Pump Size	Center Body Mat.	Fluid Caps Manifold Mat.	Seat Material	Ball Check Material	Diaphragm Material	Fluid Connections	Hardware

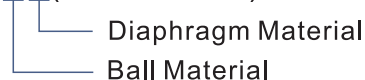
Pump Size	25-1"								
Center Body Mat.	A-Aluminum					C-Cast Iron			
Fluid Caps Manifold Mat.	A - Aluminum					S -Stainless Steel		C-Cast Iron	
Seat Material	1 - Aluminum			2 - 316 Stainless Steel		3-Polypropylene		4-PVDF(Kynar)	
	5-Carbon Steel			8-Hard 400 Stainless Steel					
Ball Check Material	1-Neoprene			2-Nitrile		3-Viton		4-PTFE	
	5-E.P.R			6-Acetal		8-Polyurethane		A-Stainless Steel	
	C-Hytrel					E-Santoprene			
Diaphragm Material	1-Neoprene			2-Nitrile		3-Viton		4-PTFE/Santoprene	
	5-E.P.R			6-Acetal		9-Hytrel		B-Santoprene	
	G-Nitrile								
Fluid Connections	N-NPT Threads					B-BSP Threads			
Hardware	S-Stainless Steel					C-Carbon Steel			

## ACCESSORIES:

### Service Repair Kits:

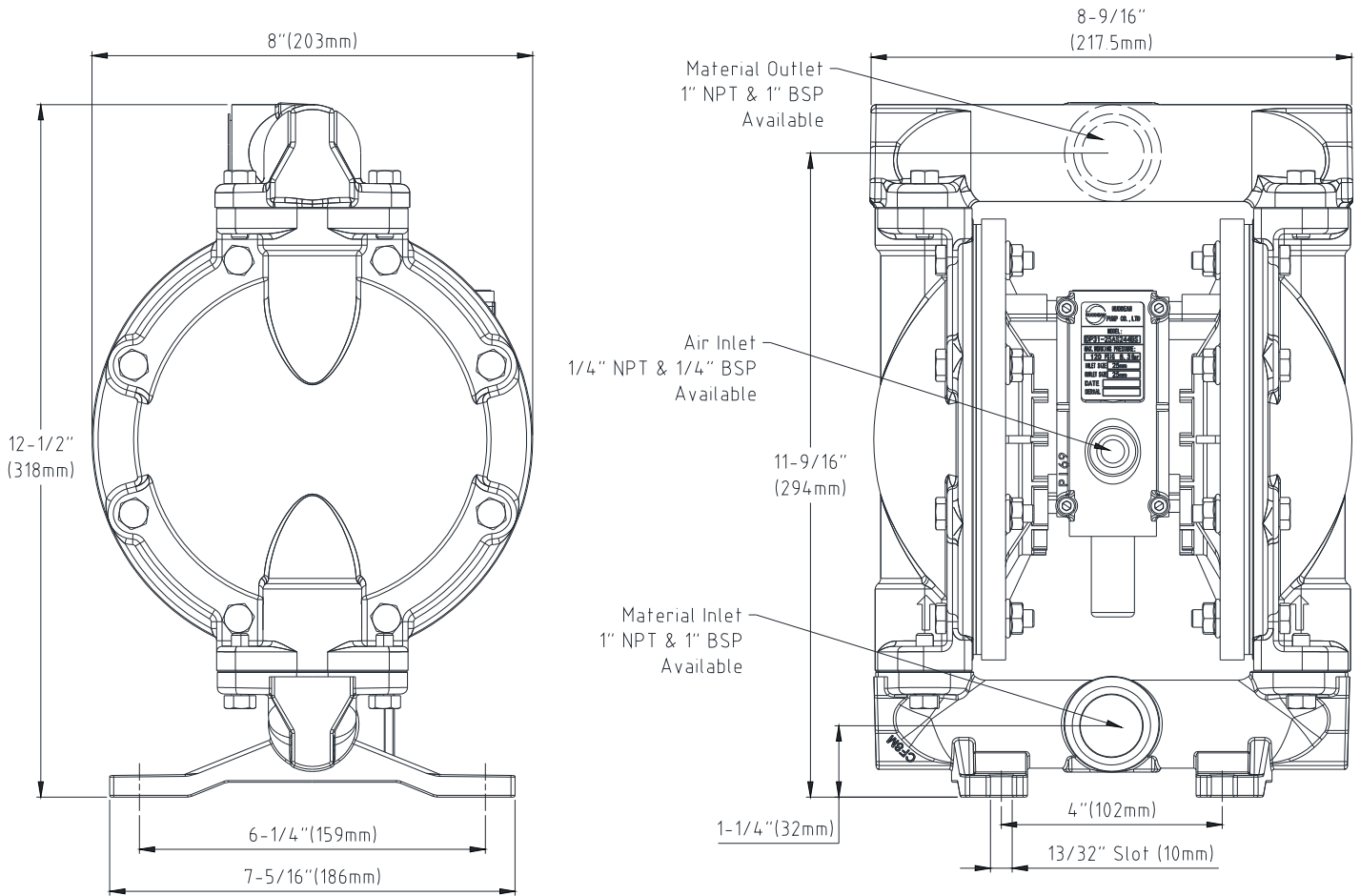
DP31-Air25(air section)

DP31-Flu25 - XX(fluid section)

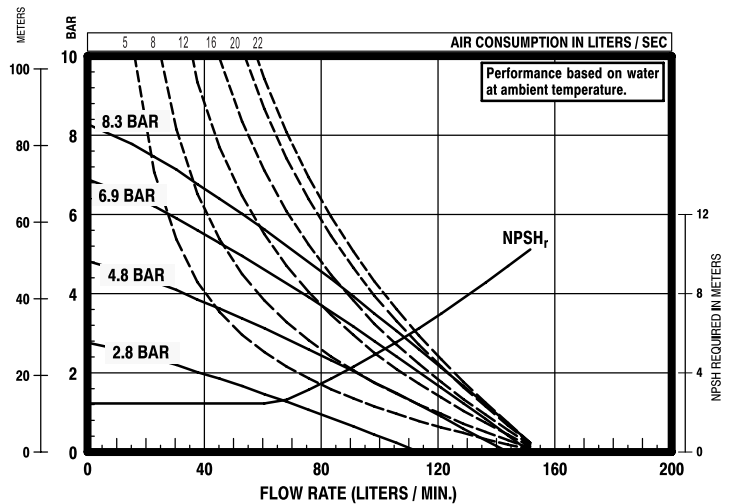
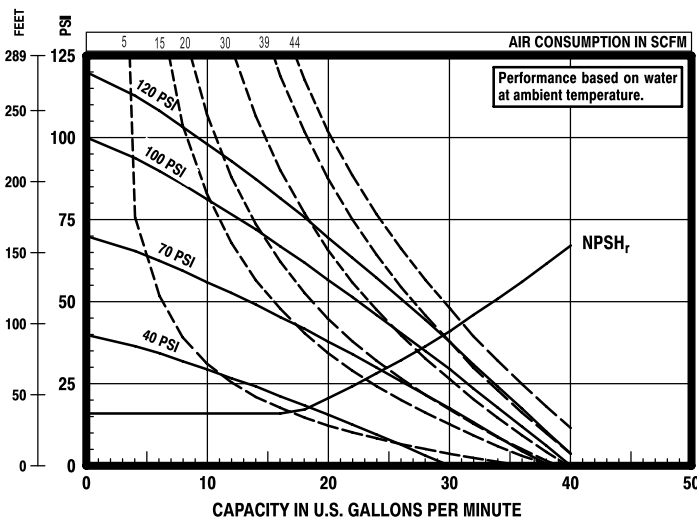


# 1" METALLIC Models( With Integral Foot)

## DIMENSIONS:



## PERFORMANCE CURVE:



# 1-1/2" METALLIC Models

## SPECIFICATIONS:

**Air Inlet(female):** 3/8"BSPT(3/8"NPT Available On Request)

**Fluid Outlet:** Rp 1-1/2 (1-1/2 BSP,parallel)  
1-1/2 NPT

**Fluid Inlet:** Rp 1-1/2 (1-1/2 BSP,parallel)  
1-1/2 NPT

**Maximum Flow Rate:** 91.8 GPM(347.5 LPM)

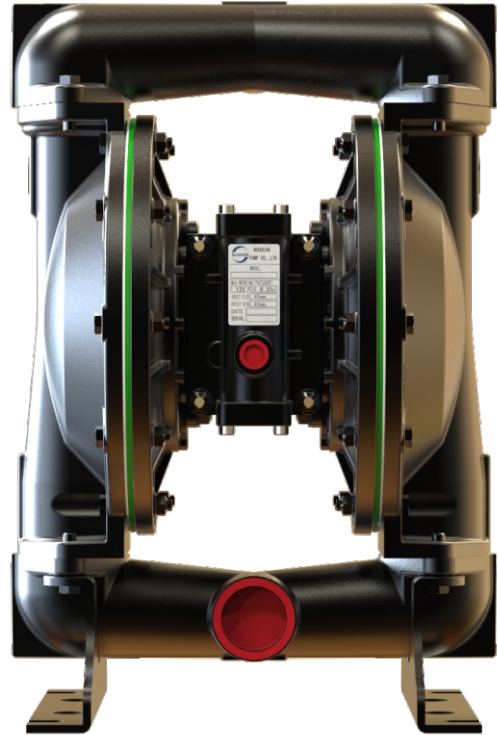
**Max. Operating Pressure:** 120psi(8.3 bar)

**Suspended Solids Max. Dia.:** 1/4"(6.4mm)

**Maximum Dry Suction Lift:** 19feet(5.8m)

**Weight:** aluminum-51.5 lbs(23.4kg);  
stainless steel-84.5 lbs(38.3kg);  
cast iron-79.5 lbs(36.1kg);

**Sound Level:**70psi 60 cycles/min. 80.5db(A)



## MODEL DESCRIPTION & ORDERING:

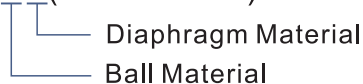
DP21	-	40	X	X	X	X	X	X	X
		Pump Size	Center Body Mat.	Fluid Caps Manifold Mat.	Seat Material	Ball Check Material	Diaphragm Material	Fluid Connections	Hardware
Pump Size	40-1 1/2"								
Center Body Mat.	A-Aluminum					C-Cast Iron			
Fluid Caps Manifold Mat.	A - Aluminum					S -Stainless Steel		C-Cast Iron	
Seat Material	1 - Aluminum			2 - 316 Stainless Steel		3-Polypropylene		4-PVDF(Kynar)	
	5-Carbon Steel			8-Hard 400 Stainless Steel					
Ball Check Material	1-Neoprene			2-Nitrile		3-Viton		4-PTFE	
	5-E.P.R			6-Acetal		8-Polyurethane		A-Stainless Steel	
	C-Hytrel					E-Santoprene			
Diaphragm Material	1-Neoprene			2-Nitrile		3-Viton		4-PTFE/Santoprene	
	5-E.P.R			6-Acetal		9-Hytrel		B-Santoprene	
	G-Nitrile								
Fluid Connections	N-NPT Threads					B-BSP Threads			
Hardware	S-Stainless Steel					C-Carbon Steel			

## ACCESSORIES:

### Service Repair Kits:

DP21-Air40(air section)

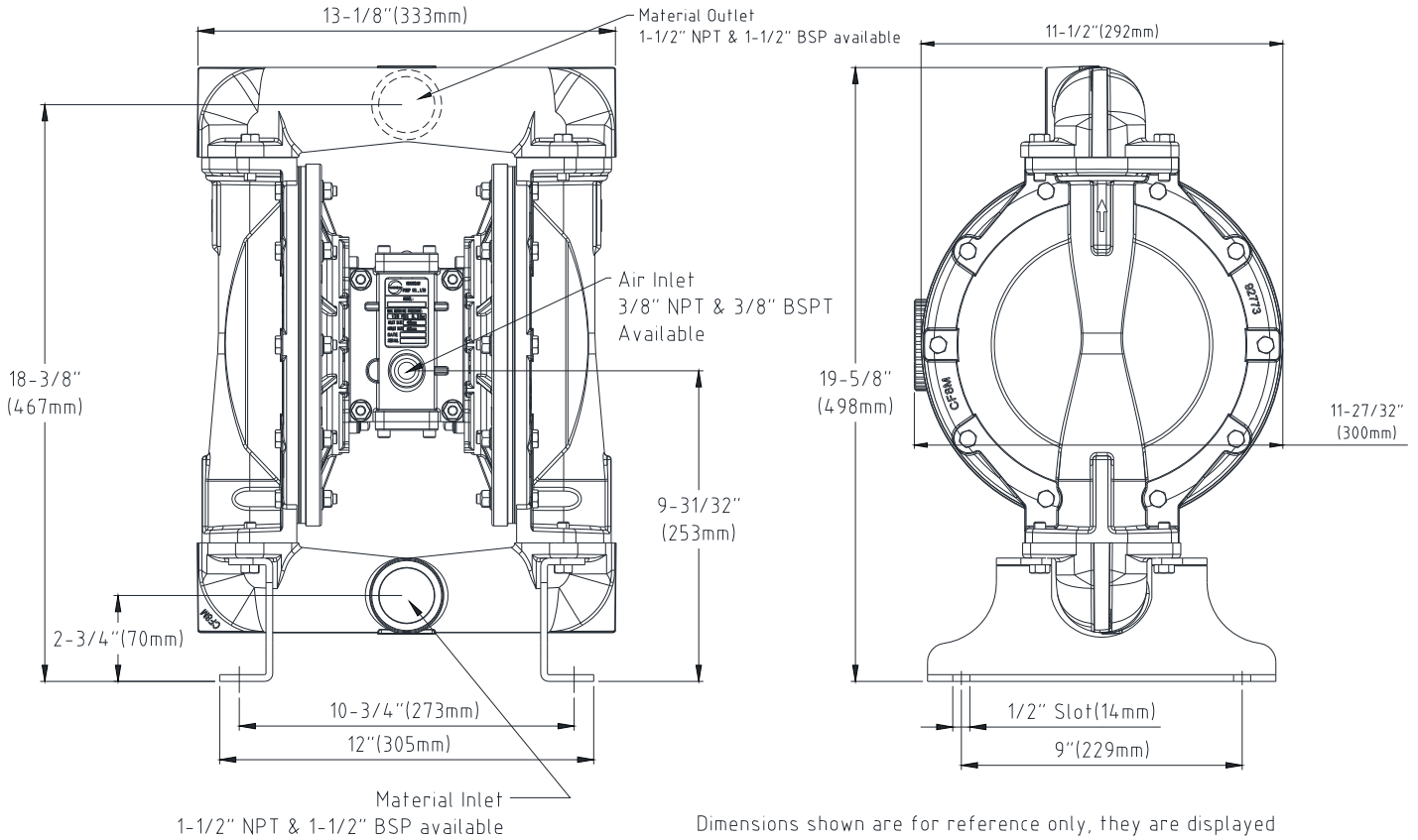
DP21-Flu40 - XX(fluid section)





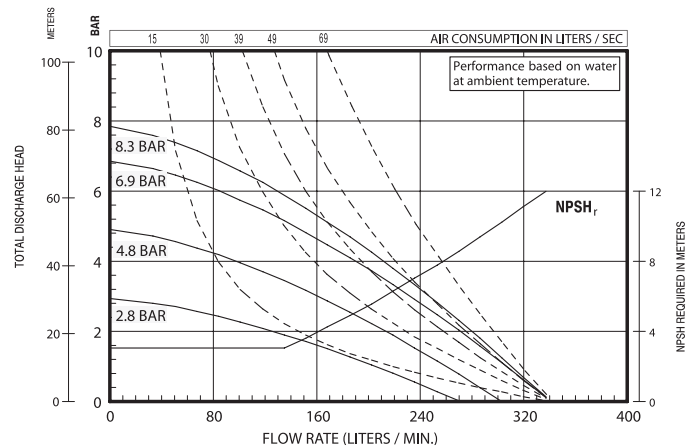
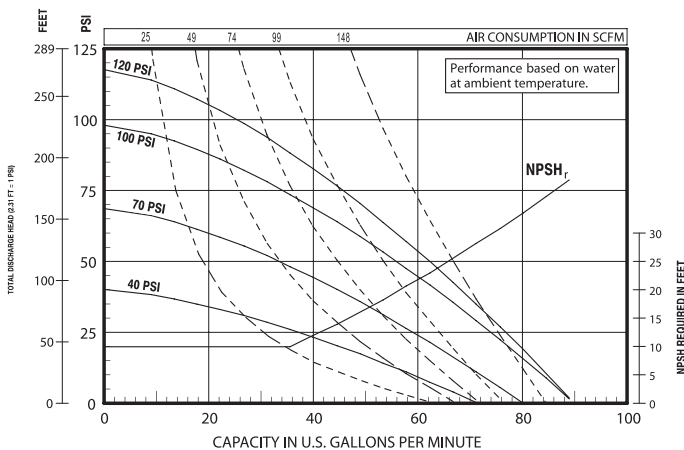
# 1-1/2" METALLIC Models

## DIMENSIONS:



Dimensions shown are for reference only, they are displayed in inches and millimeters (mm).

## PERFORMANCE CURVE:



# 1-1/2" METALLIC Models (With Side Ports)

## SPECIFICATIONS:

**Air Inlet(female):** 3/8"BSPT(3/8"NPT Available On Request)

**Fluid Outlet:** Rp 1-1/2 (1-1/2 BSP,parallel)  
1-1/2 NPT

**Fluid Inlet:** Rp 1-1/2 (1-1/2 BSP,parallel)  
1-1/2 NPT

**Maximum Flow Rate:** 91.8 GPM(347.5 LPM)

**Max. Operating Pressure:** 120psi(8.3 bar)

**Suspended Solids Max. Dia.:** 1/4"(6.4mm)

**Maximum Dry Suction Lift:** 19feet(5.8m)

**Weight:** aluminum-51.5 lbs(23.4kg);  
stainless steel-84.5 lbs(38.3kg);  
cast iron-79.5 lbs(36.1kg);

**Sound Level:**70psi 60 cycles/min. 80.5db(A)



## MODEL DESCRIPTION & ORDERING:

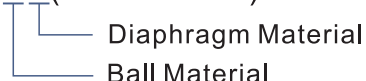
DP21S	-	40	X	X	X	X	X	X	X
		Pump Size	Center Body Mat.	Fluid Caps Manifold Mat.	Seat Material	Ball Check Material	Diaphragm Material	Fluid Connections	Hardware
Pump Size	40-1 1/2"								
Center Body Mat.	A-Aluminum				C-Cast Iron				
Fluid Caps Manifold Mat.	A - Aluminum				S -Stainless Steel		C-Cast Iron		
Seat Material	1 - Aluminum		2 - 316 Stainless Steel		3-Polypropylene		4-PVDF(Kynar)		
	5-Carbon Steel		8-Hard 400 Stainless Steel						
Ball Check Material	1-Neoprene		2-Nitrile		3-Viton		4-PTFE		
	5-E.P.R		6-Acetal		8-Polyurethane		A-Stainless Steel		
	C-Hytrel				E-Santoprene				
Diaphragm Material	1-Neoprene		2-Nitrile		3-Viton		4-PTFE/Santoprene		
	5-E.P.R		6-Acetal		9-Hytrel		B-Santoprene		
	G-Nitrile								
Fluid Connections	N-NPT Threads				B-BSP Threads				
Hardware	S-Stainless Steel				C-Carbon Steel				

## ACCESSORIES:

### Service Repair Kits:

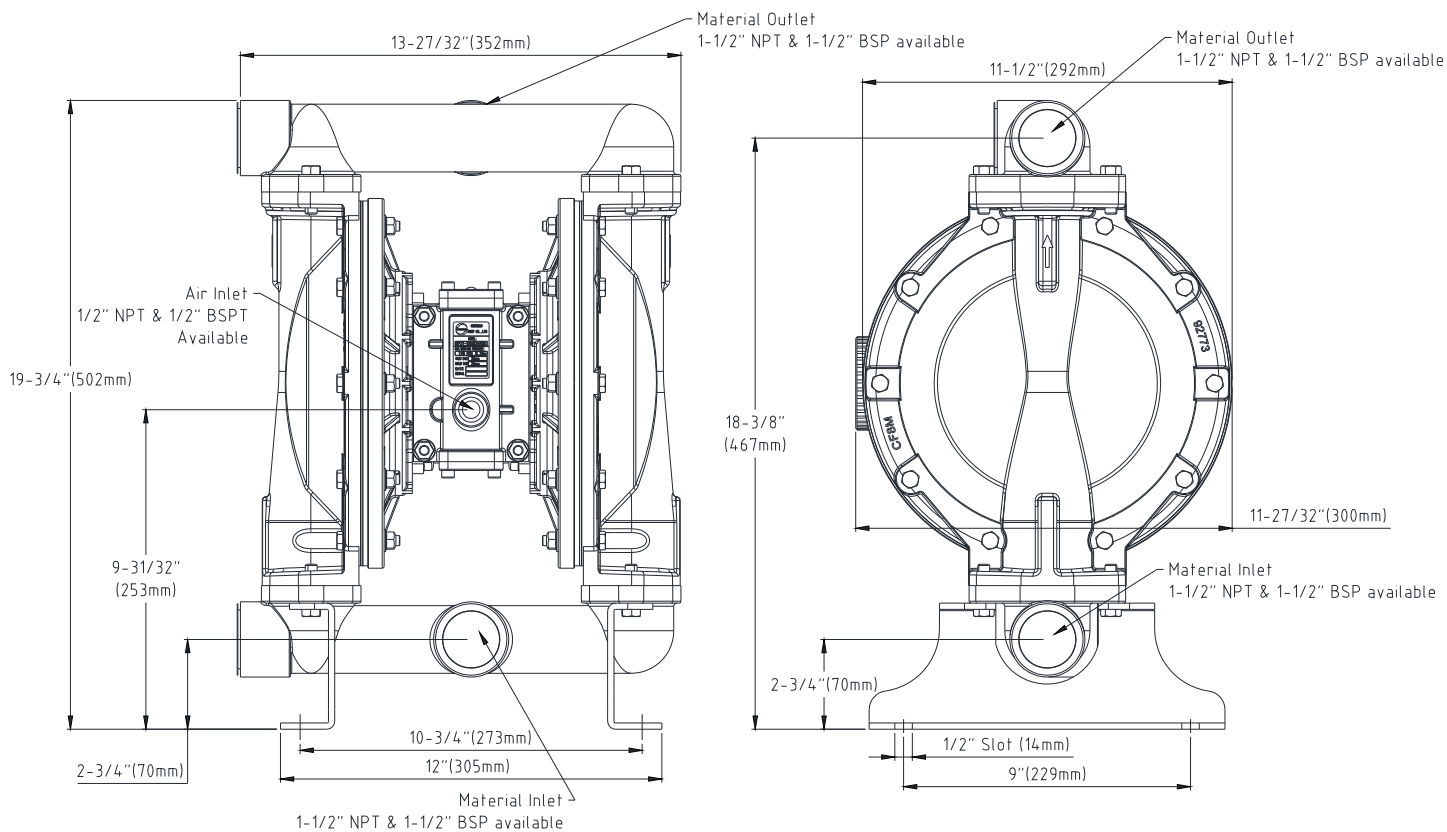
DP21-Air40(air section)

DP21-Flu40 - XX(fluid section)

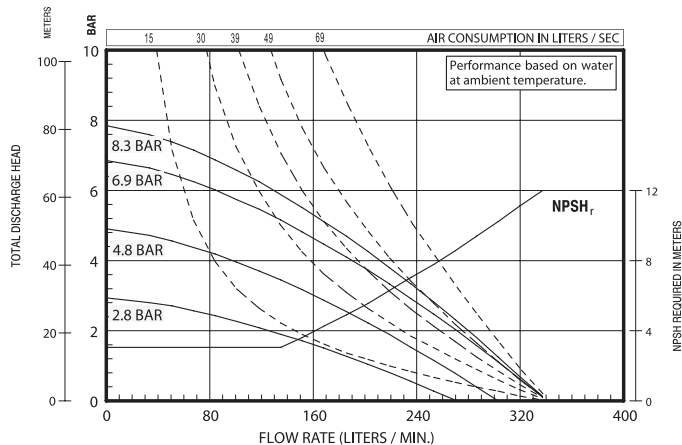
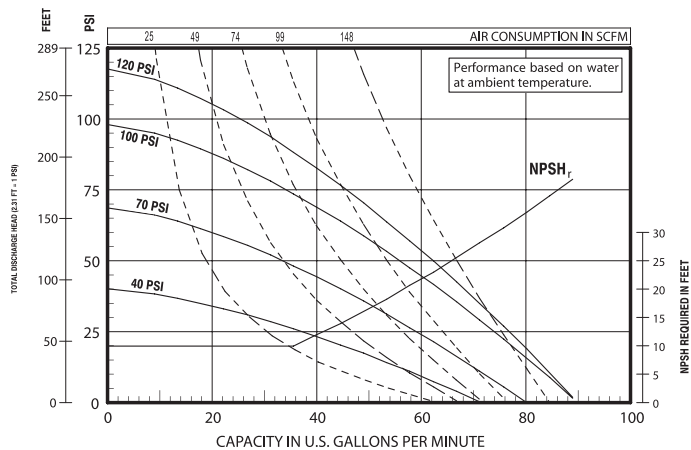


# 1-1/2" METALLIC Models (With Side Ports)

## DIMENSIONS:



## PERFORMANCE CURVE:





# 1-1/2" METALLIC Models (With Integral Foot)

## SPECIFICATIONS:

**Air Inlet(female):** 3/8"BSPT(3/8"NPT Available On Request)

**Fluid Outlet:** Rp 1-1/2 (1-1/2 BSP,parallel)  
1-1/2 NPT

**Fluid Inlet:** Rp 1-1/2 (1-1/2 BSP,parallel)  
1-1/2 NPT

**Maximum Flow Rate:** 91.8 GPM(347.5 LPM)

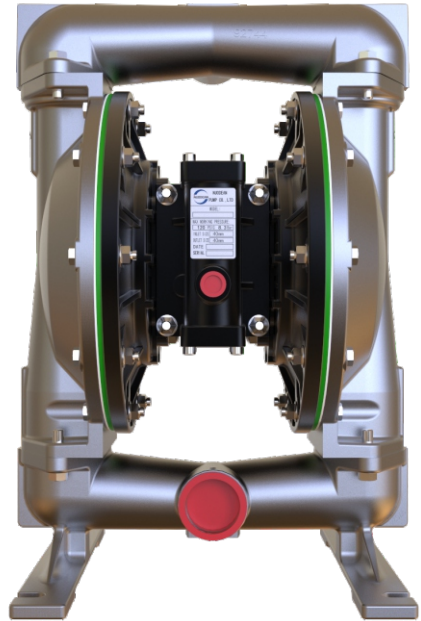
**Max. Operating Pressure:** 120psi(8.3 bar)

**Suspended Solids Max. Dia.:** 1/4"(6.4mm)

**Maximum Dry Suction Lift:** 19feet(5.8m)

**Weight:** aluminum-51.5 lbs(23.4kg);  
stainless steel-84.5 lbs(38.3kg);  
cast iron-79.5 lbs(36.1kg);

**Sound Level:**70psi 60 cycles/min. 80.5db(A)



## MODEL DESCRIPTION & ORDERING:

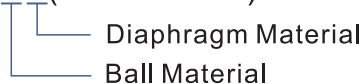
DP21T	-	40	X	X	X	X	X	X	X
		Pump Size	Center Body Mat.	Fluid Caps Manifold Mat.	Seat Material	Ball Check Material	Diaphragm Material	Fluid Connections	Hardware
Pump Size	40-1 1/2"								
Center Body Mat.	A-Aluminum				C-Cast Iron				
Fluid Caps Manifold Mat.	A - Aluminum				S -Stainless Steel		C-Cast Iron		
Seat Material	1 - Aluminum		2 - 316 Stainless Steel		3-Polypropylene		4-PVDF(Kynar)		
	5-Carbon Steel		8-Hard 400 Stainless Steel						
Ball Check Material	1-Neoprene		2-Nitrile		3-Viton		4-PTFE		
	5-E.P.R		6-Acetal		8-Polyurethane		A-Stainless Steel		
	C-Hytrel				E-Santoprene				
Diaphragm Material	1-Neoprene		2-Nitrile		3-Viton		4-PTFE/Santoprene		
	5-E.P.R		6-Acetal		9-Hytrel		B-Santoprene		
	G-Nitrile								
Fluid Connections	N-NPT Threads				B-BSP Threads				
Hardware	S-Stainless Steel				C-Carbon Steel				

## ACCESSORIES:

### Service Repair Kits:

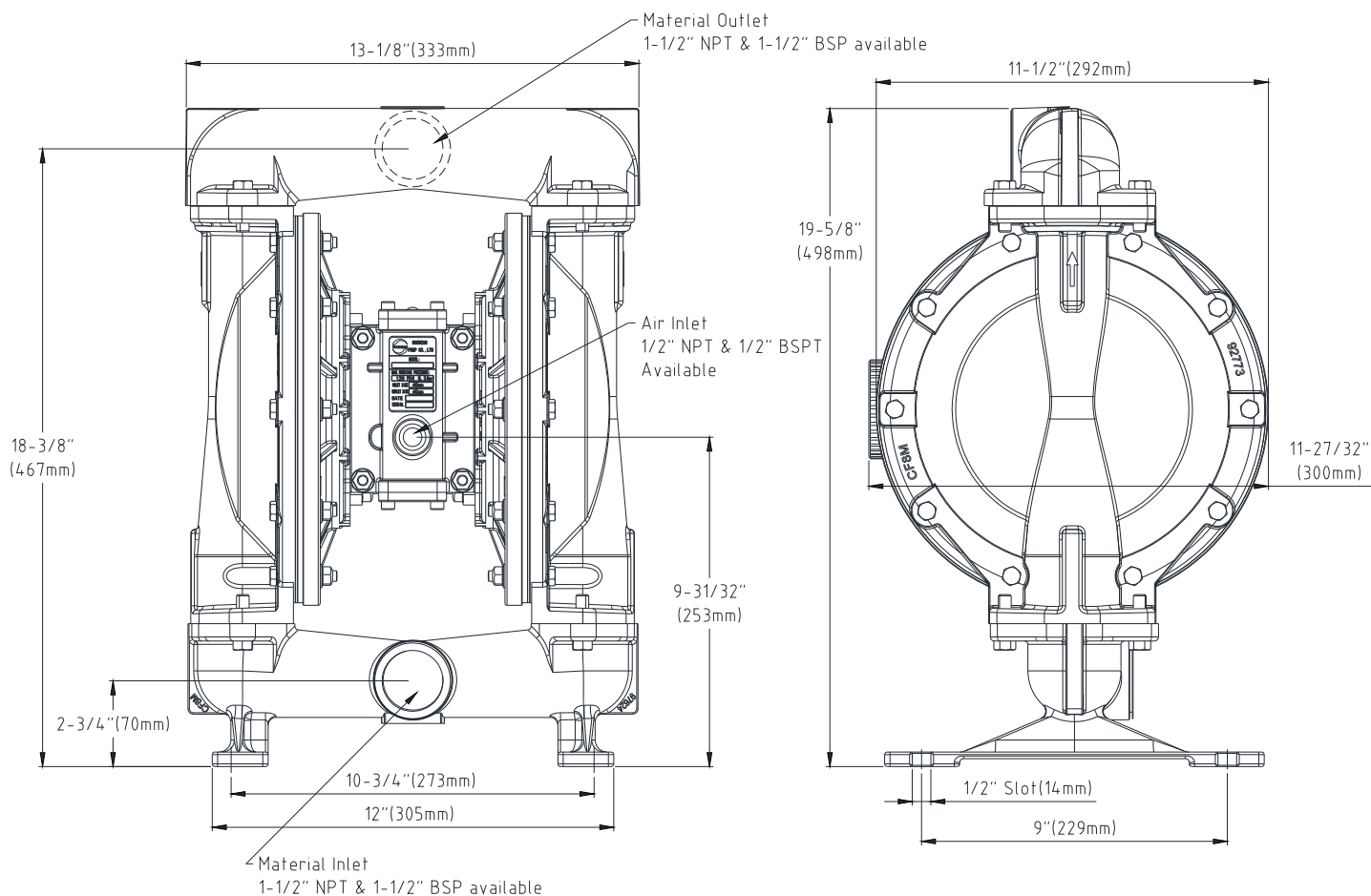
DP21-Air40(air section)

DP21-Flu40 - XX(fluid section)

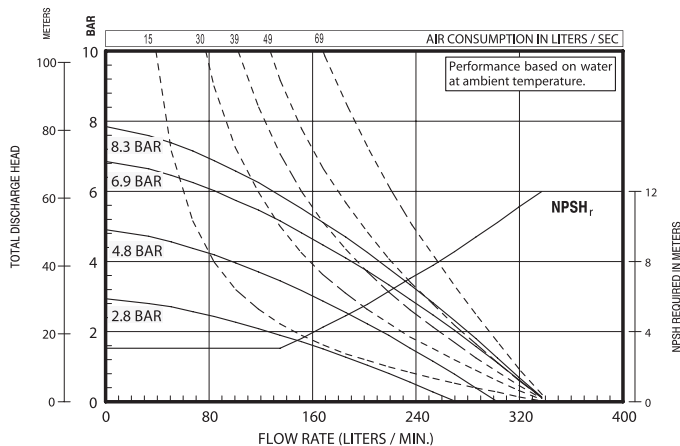
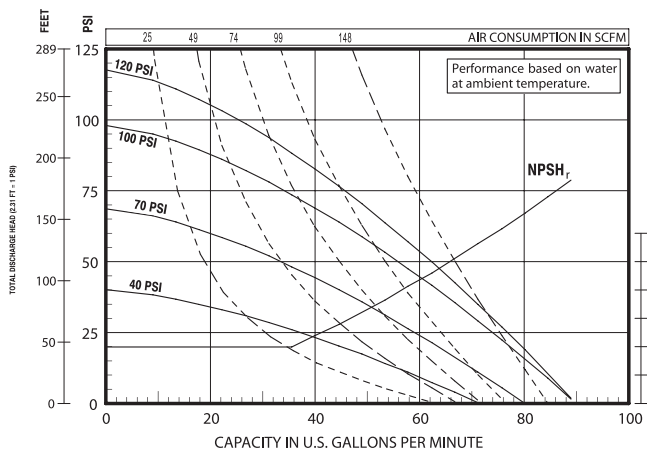


# 1-1/2" METALLIC Models (With Integral Foot)

## DIMENSIONS:



## PERFORMANCE CURVE:



## 2" METALLIC Models

### SPECIFICATIONS:

**Air Inlet(female):** 3/4"BSPT(3/4"NPT Available On Request)

**Fluid Outlet:** Rp 2 (2" BSP,parallel)  
2" NPT

**Fluid Inlet:** Rp 2 (2" BSP,parallel)  
2" NPT

**Maximum Flow Rate:** 175.4 GPM(664 LPM)

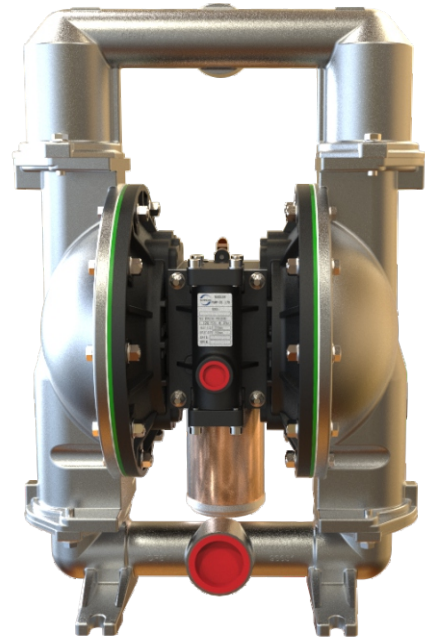
**Max. Operating Pressure:** 120psi(8.3 bar)

**Suspended Solids Max. Dia.:** 1/4"(6.4mm)

**Maximum Dry Suction Lift:** 27.2feet(8.3m)

**Weight:** aluminum-65.2 lbs(29.6kg);  
stainless steel-125.4 lbs(56.9kg);  
cast iron-124.3 lbs(56.4kg);

**Sound Level:**70psi 60 cycles/min. 80.5db(A)



### MODEL DESCRIPTION & ORDERING:

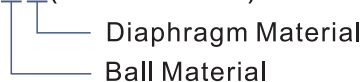
DP21	-	50	X	X	X	X	X	X	X
		Pump Size	Center Body Mat.	Fluid Caps Manifold Mat.	Seat Material	Ball Check Material	Diaphragm Material	Fluid Connections	Hardware
		Pump Size	50-2"						
		Center Body Mat.	A-Aluminum			C-Cast Iron			
		Fluid Caps Manifold Mat.	A - Aluminum			S -Stainless Steel		C-Cast Iron	
		Seat Material	1 - Aluminum	2 - 316 Stainless Steel	4-PVDF(Kynar)		5-Carbon Steel		
			E-Santoprene	8-Hard Stainless Steel	9-Hytrel		G-Nitrile		
		Ball Check Material	1-Neoprene	2-Nitrile	3-Viton		4-PTFE		
			5-E.P.R	6-Acetal	8-Polyurethane		A-Stainless Steel		
			C-Hytrel	E-Santoprene					
		Diaphragm Material	1-Neoprene	2-Nitrile	3-Viton		4-PTFE/Santoprene		
			5-E.P.R	6-Acetal	9-Hytrel		B-Santoprene		
			G-Nitrile						
		Fluid Connections	N-NPT Threads			B-BSP Threads			
		Hardware	S-Stainless Steel			C-Carbon Steel			

### ACCESSORIES:

#### Service Repair Kits:

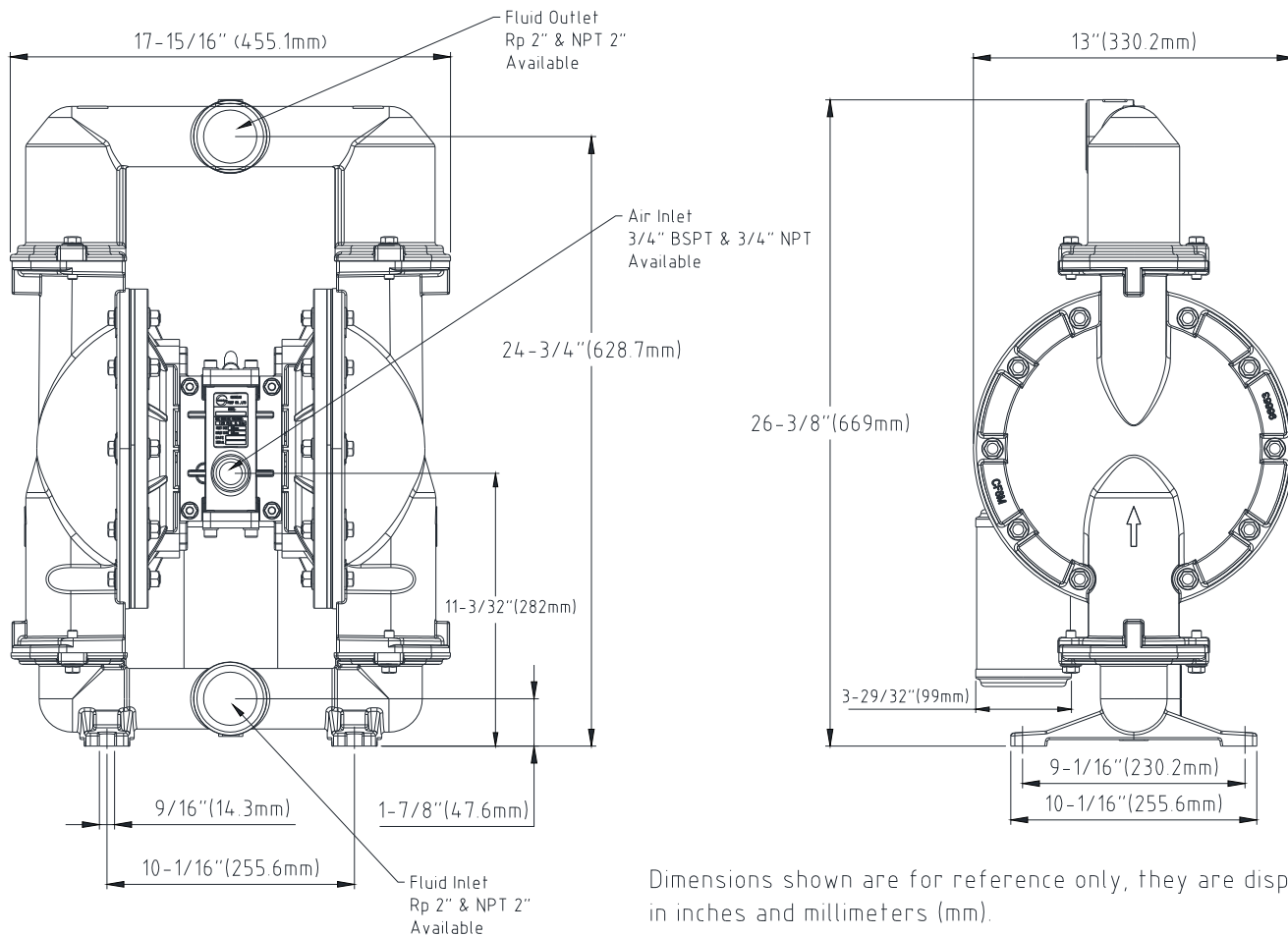
DP21-Air50(air section)

DP21-Flu50 - XX(fluid section)



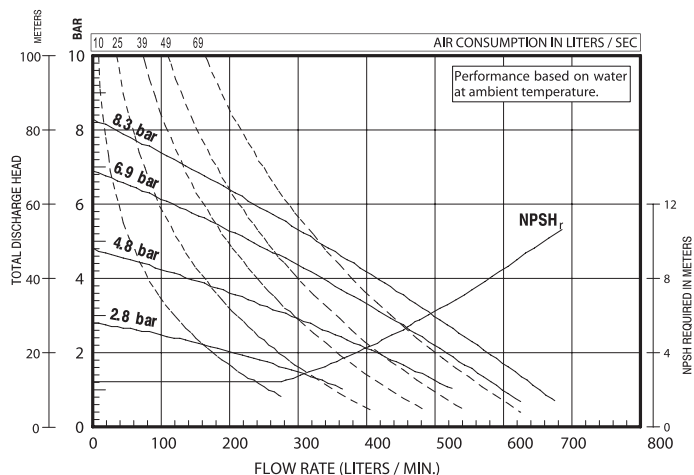
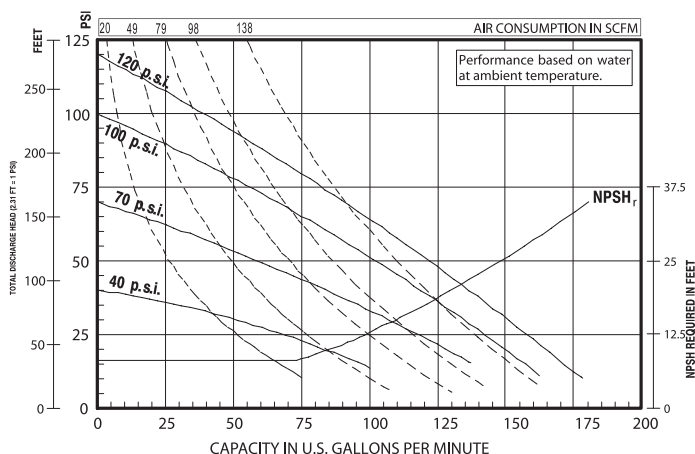
## 2" METALLIC Models

### DIMENSIONS:



Dimensions shown are for reference only, they are displayed in inches and millimeters (mm).

### PERFORMANCE CURVE:





## 3" METALLIC Models

### SPECIFICATIONS:

**Air Inlet(female):** 3/4"BSPT(3/4"NPT Available On Request)

**Fluid Outlet:** Rp 3 (3" BSP,parallel)  
3" NPT

**Fluid Inlet:** Rp 3 (3" BSP,parallel)  
3" NPT

**Maximum Flow Rate:** 238.5 GPM(903 LPM)

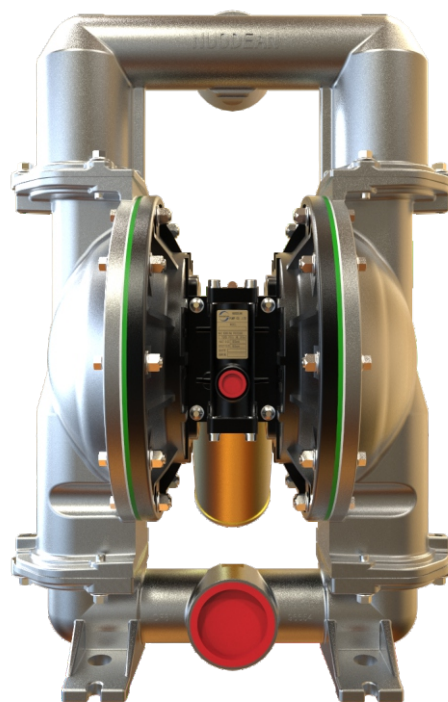
**Max. Operating Pressure:** 120psi(8.3 bar)

**Suspended Solids Max. Dia.:** 3/8"(9.5mm)

**Maximum Dry Suction Lift:** 17.6feet(5.4m)

**Weight:** aluminum-109.8 lbs(49.8kg);  
stainless steel-222.2 lbs(100.79kg);  
cast iron-213.1 lbs(96.7kg);

**Sound Level:**70psi 60 cycles/min. 86.3 db(A)



### MODEL DESCRIPTION & ORDERING:

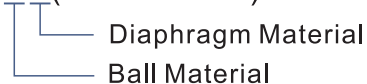
DP21	-	80	X	X	X	X	X	X	X
		Pump Size	Center Body Mat.	Fluid Caps Manifold Mat.	Seat Material	Ball Check Material	Diaphragm Material	Fluid Connections	Hardware
		Pump Size	80-3"						
		Center Body Mat.	A-Aluminum			C-Cast Iron			
		Fluid Caps Manifold Mat.	A - Aluminum			S -Stainless Steel		C-Cast Iron	
		Seat Material	1 - Aluminum	2 - 316 Stainless Steel	4-PVDF(Kynar)		5-Carbon Steel		
			E-Santoprene	8-Hard Stainless Steel	9-Hytrel		G-Nitrile		
		Ball Check Material	2-Nitrile	C-Hytrel	4-PTFE		E-Santoprene		
		Diaphragm Material	2-Nitrile	4-PTFE/Santoprene		9-Hytrel		B-Santoprene	
		Fluid Connections	N-NPT Threads			B-BSP Threads			
		Hardware	S-Stainless Steel			C-Carbon Steel			

### ACCESSORIES:

#### Service Repair Kits:

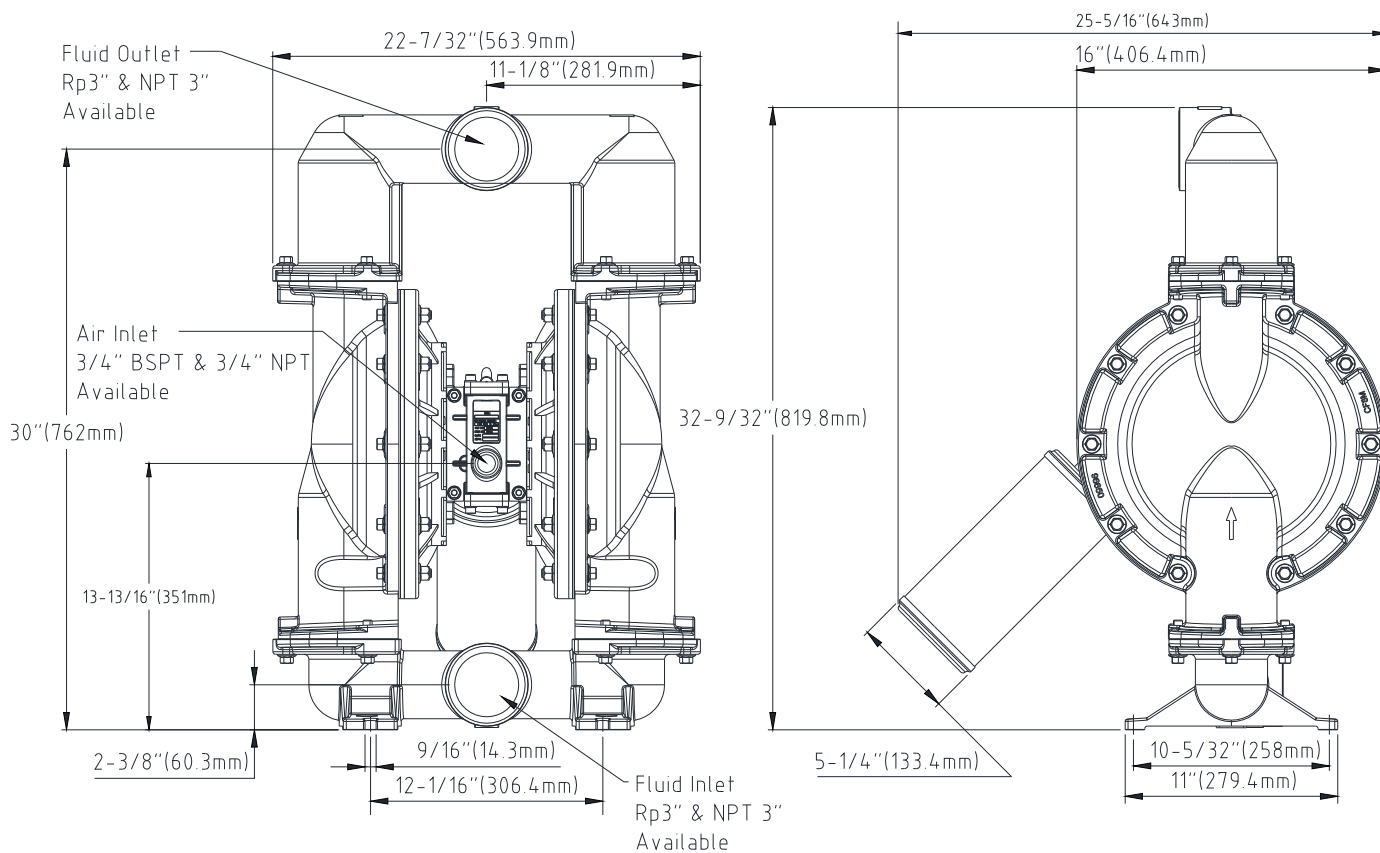
DP21-Air80(air section)

DP21-Flu80 - XX(fluid section)



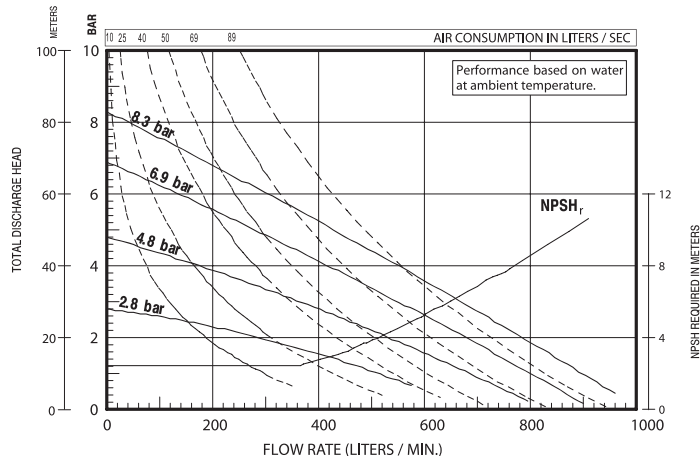
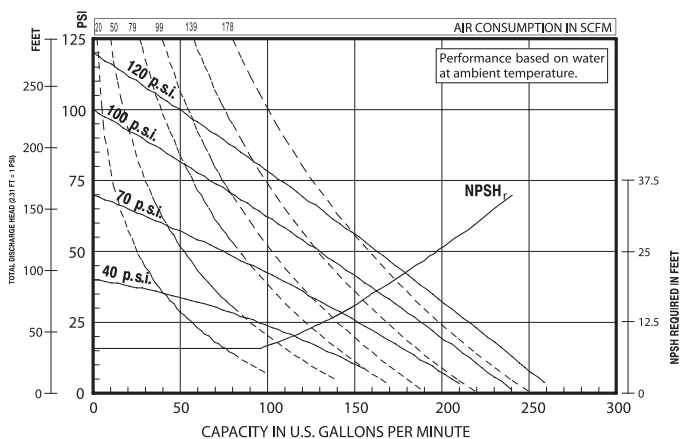
# 3" METALLIC Models

## DIMENSIONS:



Dimensions shown are for reference only, they are displayed in inches and millimeters (mm).

## PERFORMANCE CURVE:



# DRY POWDER DIAPHRAGM PUMP

MODEL:DP26-XX-XXXXXX



Transfer and handle your dry process powder faster, cleaner and at a fraction of the cost associated with installed “systems”.

Consistent trouble-free transfer of powders up to 45-lbs.per cubic foot(721kgs. per cubic meter) dry-weight, such as carbon black, expanded mica, silicones, acrylic resins, 3D printing powders and pharmaceuticals.

- Replace manual powder processes
- Reduce airborne contamination-with direct transfer from the powdercontainer to your recipe.
- Special air-induction system-avoids the possibility of powder pack-out.
- Portable-Can be moved from site to site.

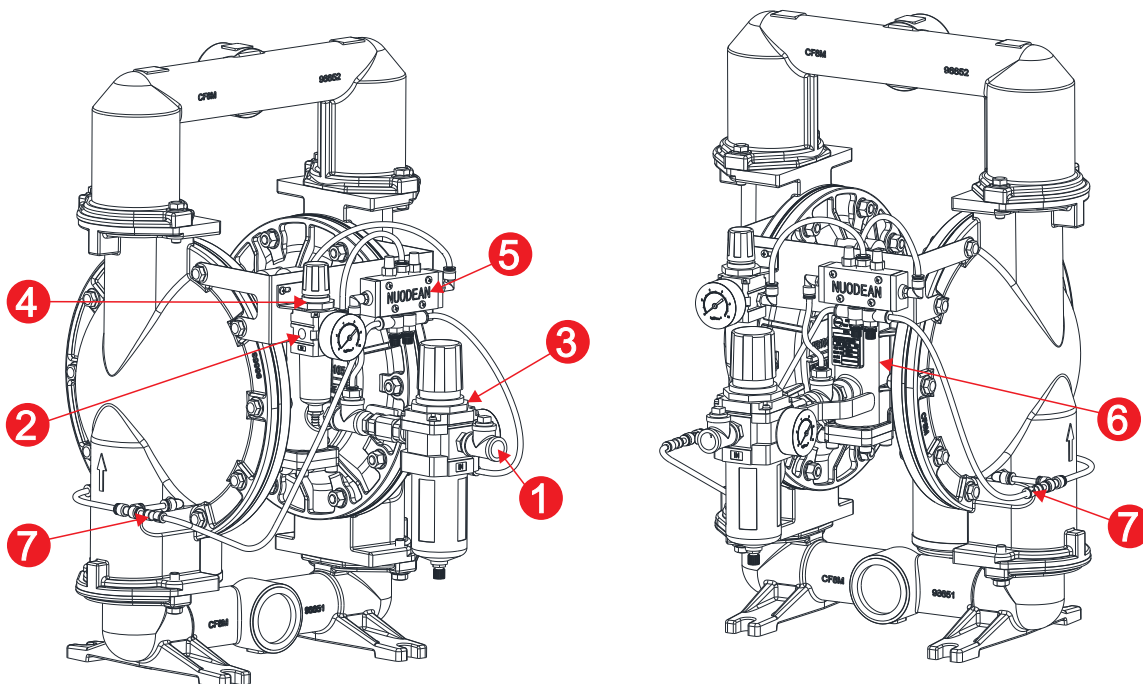
## ORDERING:

Position		1	2	3	4	5	6	7
	DP26-	XX	-	X	X	X	X	X

Position 1 Size	Position 2 Connections	Position 3 Wetted Parts	Position 4 Hardware	Position 5 Seat Material	Position 6 Ball Material	Position 7 Diaphragm Material
40-- 1-1/2"	A-NPT Screwed	A-Aluminum	P-Plated Steel	A-Santoprene	A-Santoprene	A-Santoprene
50--2"	B-BSPT Screwed	S-Stainless Steel	S-Stainless Steel	S-Stainless Steel		M-Medical Grade Santoprene
80--3"						

# DRY POWDER DIAPHRAGM PUMP

MODEL:DP26-XX-XXXXXX



- 1 Air Inlet:** The compressed air that drive the pump ,is connected to this Air Inlet.  
Maximum Air Inlet Pressure: 50psi(3.4 bar)
- 2 Fluidizing Gas Inlet:** The inert gas or air to fluidize the powder , is connected to this Fluidizing Gas Inlet.  
Maximum Fluidizing Pressure: 100psi(6.9 bar)
- 3 Piggyback Air Filter/Regulator:** Used for the compressed air that drive the pump
- 4 Air Filter/Regulator:** Used for the inert gas or air that fluidize the powder
- 5 2-postion 5-way valve:** Alternately blow the fluidizing air (or other inert gas) into the two fluid chambers to fluidize the powder inside .
- 6 Pump Major Air Valve:** NUODEAN’s air valve features patented, stall-free design.
- 7 Air Check Valve**



## 1" TRIPLE DIAPHRAGM PUMP(2:1 Ratio Pressure)

MODEL:DP32-25XXXXXXX

### ◆SPECIFICATIONS:

**Air Inlet(Female):** 1/4"BSPT(1/4"NPT Available On Request)

**Fluid Outlet:** 1"BSPT Or 1"NPT;

**Fluid Inlet:** 1"BSPT Or 1"NPT;

**Maximum Flow Rate:** 35GPM(133LPM)

**Max. Operating Pressure:** 100psi(7bar)

**Fluid Pressure Range:** 20-200psi(1.4-14bar)

**Suspended Solids Max. Dia.:** 1/8"(3.2mm)

**Maximum Dry Suction Lift:** 20feet(6.1m)

**Weight:** 51 lbs(23kg);

**Sound Level:** 70PSI 60 Cycles/Min 70db(A)



### ◆PRODUCT ADVANTAGES:

1. Fluid pressure is increased to 2:1 Ratio of compressed air pressure without sacrificing flow.
2. Stall-free Design.
3. Self-lubricating,lube-free and maintenance-free air system.

### ◆APPLICATION AREAS:

Filter press, ceramic, high head pressure or long distance

### ◆MODEL DESCRIPTIONS & ORDERING:

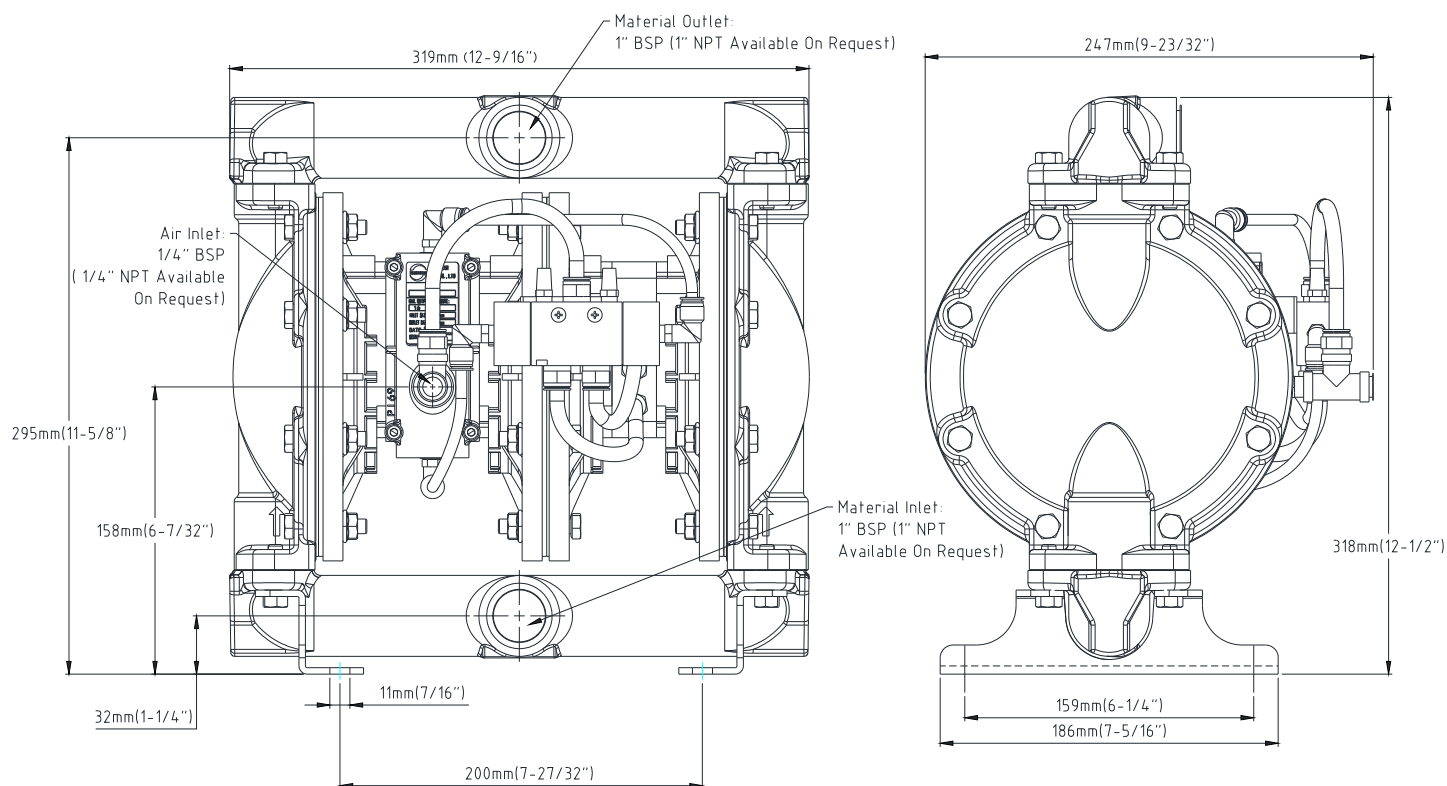
DP32	-	25	X	X	X	X	X	X	X
		PumpSize	CenterBody Mat.	FluidCaps ManifoldMat.	Seat Material	BallCheck Material	Diaphragm Material	Fluid Connections	Hardware

Pump Size	25-1"								
CenterBody Mat.	A-Aluminum					C-CastIron			
FluidCaps ManifoldMat.	A - Aluminum					S -StainlessSteel		C-CastIron	
Seat Material	1 - Aluminum		2 - 316StainlessSteel		4-PVDF(Kynar)		5-CarbonSteel		
	E-Santoprene		8-HardStainlessSteel		9-Hytrel		G-Nitrile		
Ball Check Material	2-Nitrile		C-Hytrel		4-PTFE		E-Santoprene		
Diaphragm Material	2-Nitrile		4-PTFE/Santoprene		9-Hytrel		B-Santoprene		
FluidConnections	N-NPTThreads					B-BSPThreads			
Hardware	S-StainlessSteel					C-CarbonSteel			

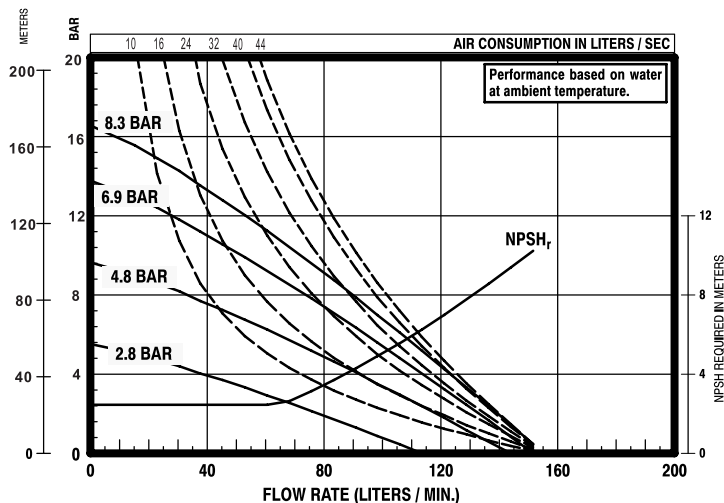
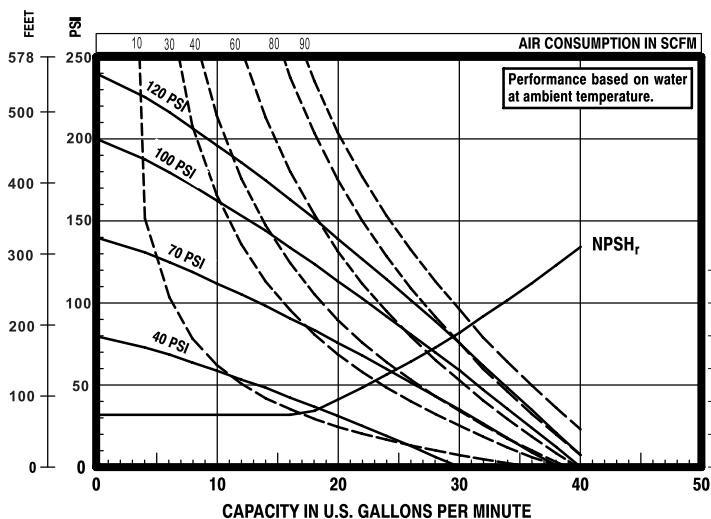
# 1" TRIPLE DIAPHRAGM PUMP(2:1 Ratio Pressure)

MODEL:DP32-25XXXXXXX

## DIMENSIONS:



## PERFORMANCE CURVE:



## ACCESSORIES:

### Service Repair Kits:

DP32-Air25(air section)

DP32-Flu25 - XX(fluid section)

- Diaphragm Material
- Ball Material

## 1-1/2" TRIPLE DIAPHRAGM PUMP(2:1 Ratio Pressure)

MODEL:DP12-40XXXXXXX

### ◆SPECIFICATIONS:

**Air Inlet(Female):** 3/8"BSPT(3/8"NPT Available On Request)

**Fluid Outlet:** 1-1/2"BSPT Or 1-1/2"NPT;

**Fluid Inlet:** 1-1/2"BSPT Or 1-1/2"NPT;

**Maximum Flow Rate:** 90GPM(340.7LPM)

**Max. Operating Pressure:** 100psi(7bar)

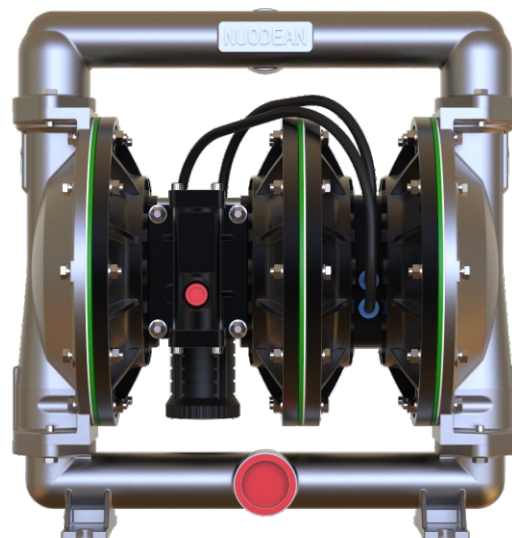
**Fluid Pressure Range:** 20-200psi(1.4-14bar)

**Suspended Solids Max. Dia.:** 1/4"(6.4mm)

**Maximum Dry Suction Lift:** 19feet(5.8m)

**Weight:** 110 lbs(50kg);

**Sound Level:** 70PSI 60 Cycles/Min 88.0db(A)



### ◆PRODUCT ADVANTAGES:

1. Fluid pressure is increased to 2:1 Ratio of compressed air pressure without sacrificing flow.
2. Stall-free Design.
3. Self-lubricating,lube-free and maintenance-free air system.

### ◆APPLICATION AREAS:

Filter press, ceramic, high head pressure or long distance

### ◆MODEL DESCRIPTIONS & ORDERING:

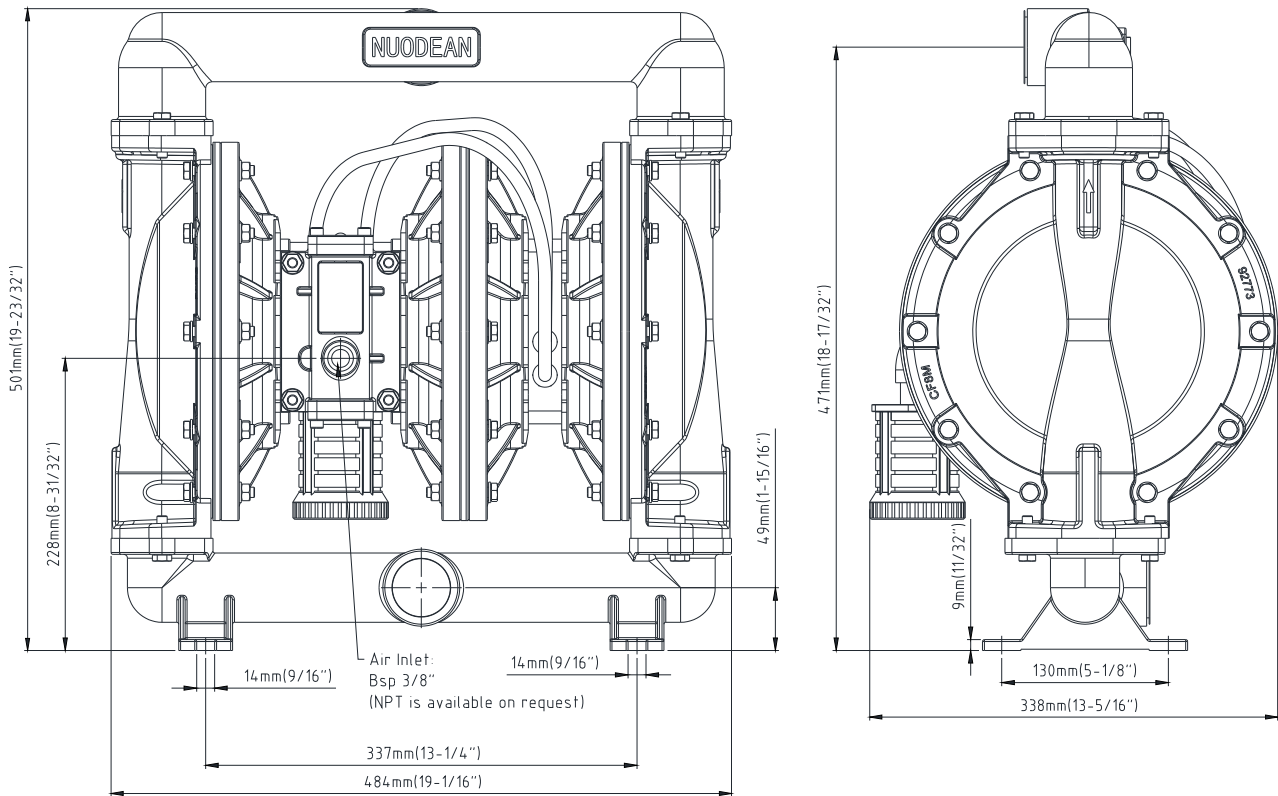
DP12	-	40	X	X	X	X	X	X	X
		Pump Size	Center Body Mat.	Fluid Caps Manifold Mat.	Seat Material	Ball Check Material	Diaphragm Material	Fluid Connections	Hardware

Pump Size	40-1 1/2"								
CenterBody Mat.	A-Aluminum				C-CastIron				
FluidCaps ManifoldMat.	A - Aluminum				S -StainlessSteel		C-CastIron		
Seat Material	1 - Aluminum		2 - 316 StainlessSteel		4-PVDF(Kynar)		5-CarbonSteel		
	E-Santoprene		8-HardStainlessSteel		9-Hytrel		G-Nitrile		
Ball Check Material	2-Nitrile		C-Hytrel		4-PTFE		E-Santoprene		
Diaphragm Material	2-Nitrile		4-PTFE/Santoprene		9-Hytrel		B-Santoprene		
FluidConnections	N-NPTThreads				B-BSPThreads				
Hardware	S-StainlessSteel				C-CarbonSteel				

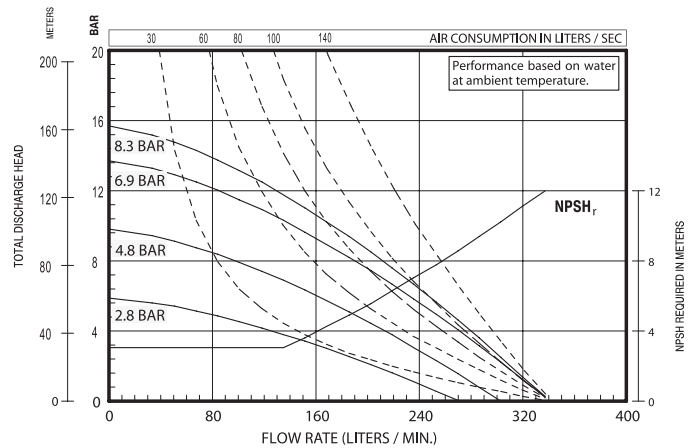
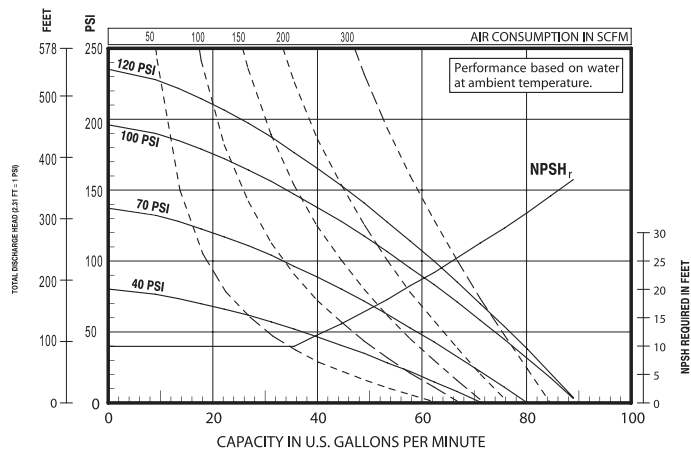
# 1-1/2" TRIPLE DIAPHRAGM PUMP(2:1 Ratio Pressure)

MODEL:DP12-40XXXXXX

## DIMENSIONS:



## PERFORMANCE CURVE:



## ACCESSORIES:

### Service Repair Kits:

DP12-Air40(air section)

DP12-Flu40 - XX(fluid section)

- Diaphragm Material
- Ball Material



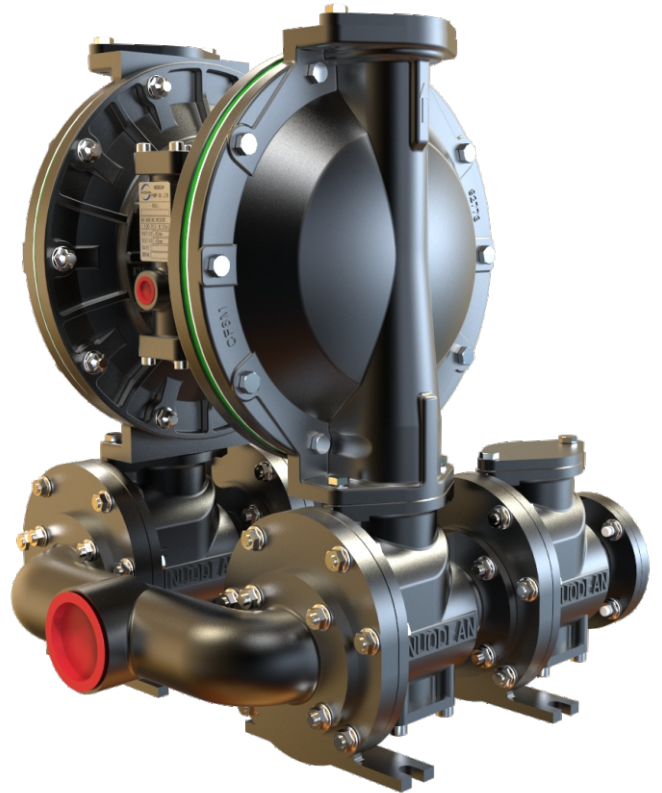
## 2" METALLIC FLAP-VALVE PUMP

MODEL:DP27-XXXXXXX

Designed to pump fluids containing solids up to 2 inches(50mm) in diameter. Built on the foundation of the DP Series line of pumps, the Heavy duty pumps features Nuodean's patented Stall-free/lube-free Air Valve and rugged, easy-to-service bolted construction.

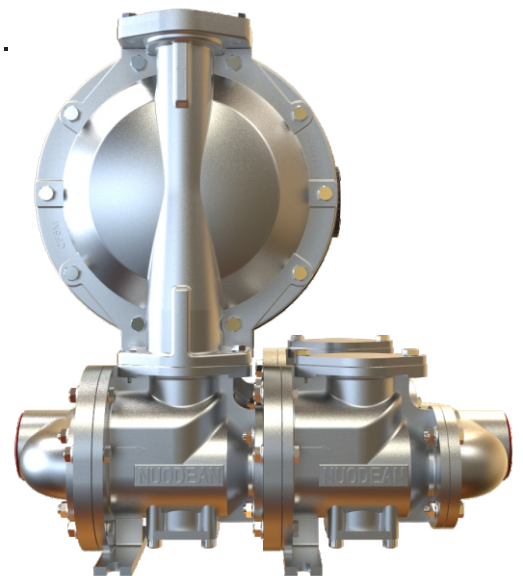
### THIS PUMP ADAPT INNOVATIVE DESIGNES:

- The passage of fluid is horizontal, not vertical.
  - Fluid is easier to pass through.
  - Easier to repair or maintain.
  - No accumulation of fluid.
- Swing check valve is adopt.
  - Better passing ability for fluid
  - Easier to repair or maintain.
  - Longer lifetime.
  - modularized



Plus.... All the benefits of every NUODEAN PUMP

- Patented Non-lubricated & stall-free Air-Valve.
- Bolted Construction
- Faster trip-over, with less pulsation & more flow.
- Both of Main air valve & Pilot air valve adapt ceramic seals, with longer lifetime.
- Anti-icing design.



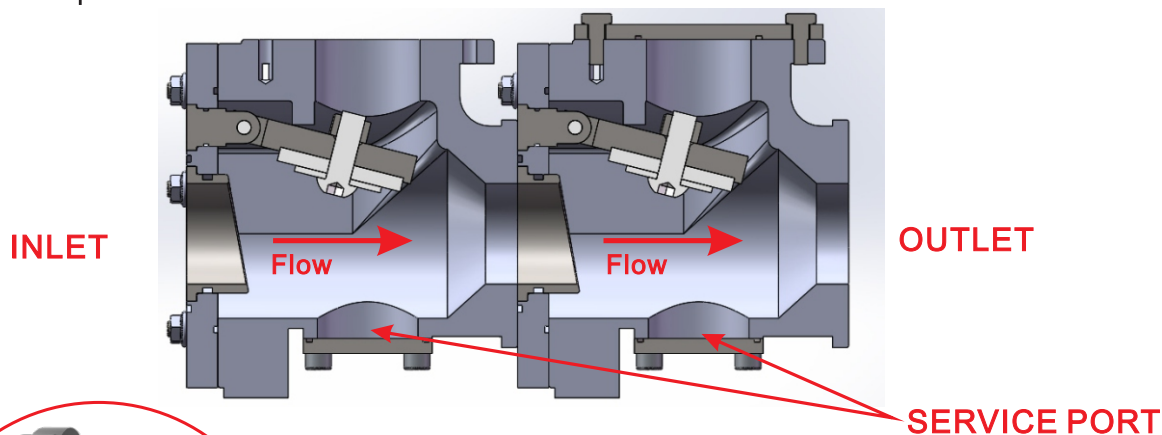
For stainless steel material:good solution for the food industry

## 2" METALLIC FLAP-VALVE PUMP

MODEL:DP27-XXXXXXX

### DESIGN FEATURES:

- Heavy-duty Swing Flap Check valve permits passage of up to 2 inch solids, longer lifetime, modularized.
- Easy access to valve chamber for ease of maintenance.
- In-line maintenance facilitates servicing pump without removal from installation.
- Horizontal constructure from suction to discharge keeps solids from settling in pump.
- Fluid is easier to pass through, due to Horizontal constructure from suction to discharge.
- Better passing ability for fluid, due to Horizontal constructure from suction to discharge.
- Easier to repair or maintain.



Heavy-duty, modularized Swing Flap-valve

#### Disc with resilient seal

- Larger Opening
- Better sealing effect

#### SS seats

- Corrosion resisting
- Replaceable
- Better sealing effect

### MODEL DESCRIPTIONS:

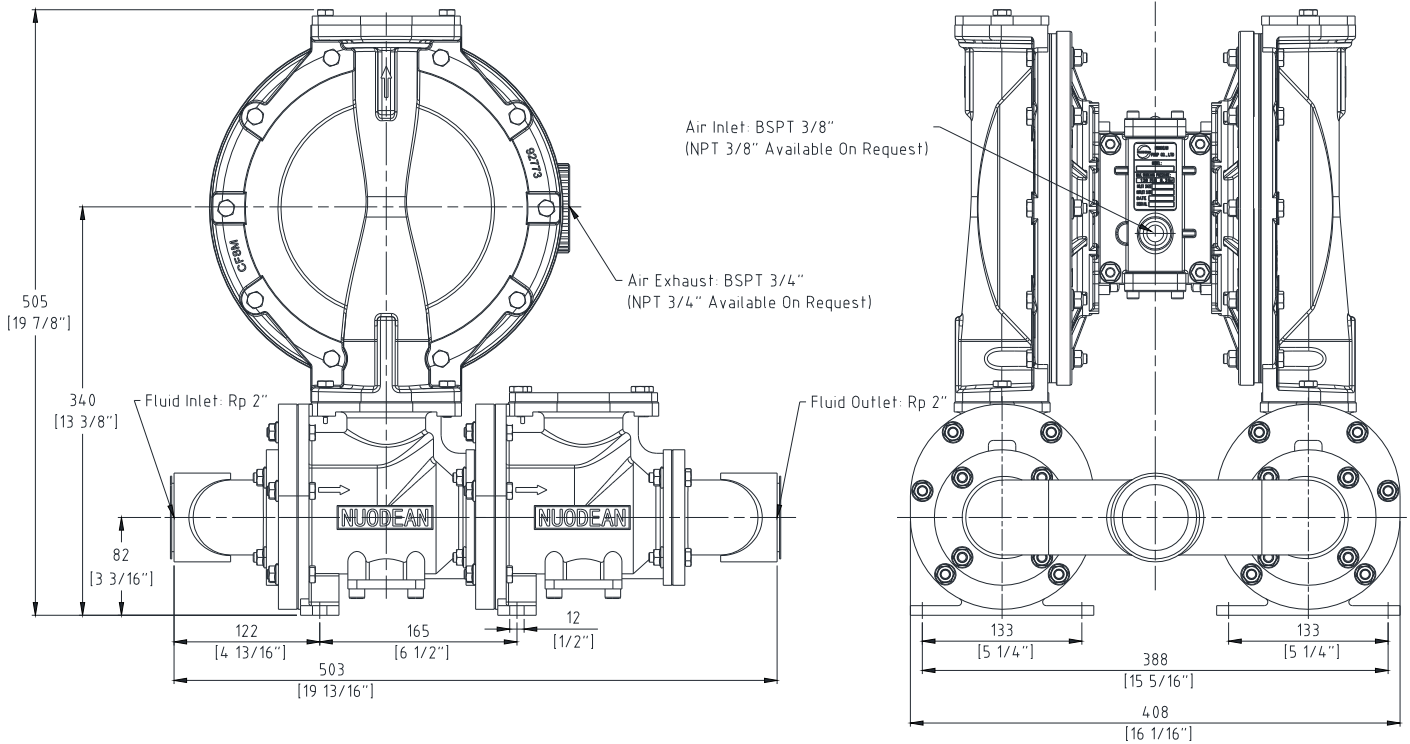
DP27	-	50	X	X	X	X	X
		PumpSize	CenterBody Mat.	FluidCaps ManifoldMat.	Diaphragm Material	Fluid Connections	Hardware

Pump Size	50-2"						
CenterBody Mat.	A-Aluminum				C-CastIron		
FluidCaps ManifoldMat.	A - Aluminum				S -StainlessSteel		C-CastIron
Diaphragm Material	2-Nitrile		4-PTFE/Santoprene		9-Hytrel		B-Santoprene
FluidConnections	N-NPTThreads		F-FlangeANSI150		B-BSPThreads		F-FlangePN10/PN16
Hardware	S-StainlessSteel				C-CarbonSteel		

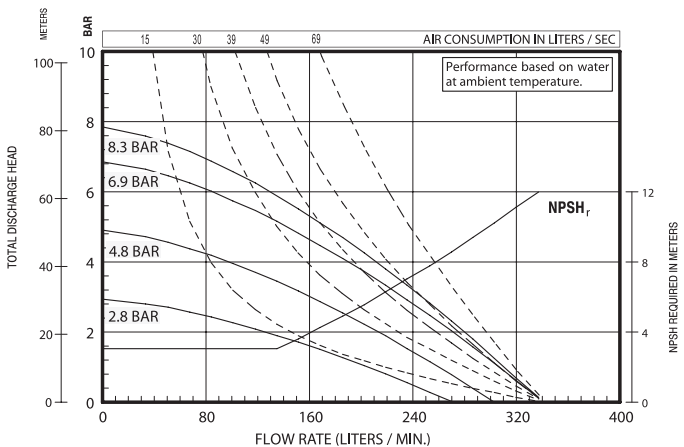
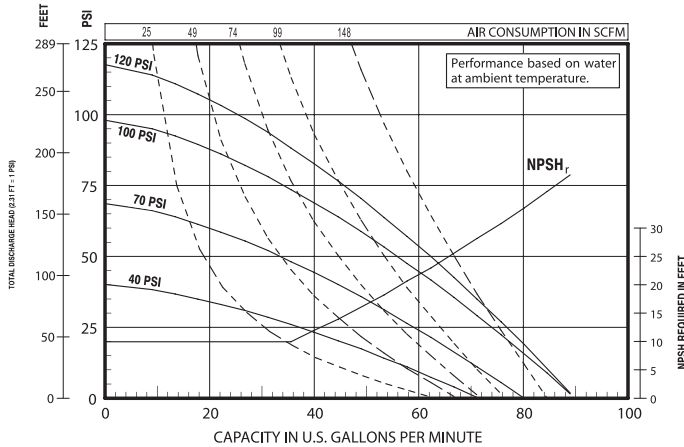
## 2" METALLIC FLAP-VALVE PUMP

MODEL:DP27-XXXXXXX

### DIMENSIONS:



### PERFORMANCE CURVES:



### SPECIFICATIONS:

#### Air Inlet(Female):

3/8"BSPT(3/8"NPT Available On Request)

#### Fluid Outlet: Rp 2 (2" BSP,parallel)

2" NPT

#### Fluid Inlet(Female): Rp 2 (2" BSP,parallel)

2" NPT

**Maximum Flow Rate:** 100GPM(480LPM)

**Max. Operating Pressure:** 120psi(8.3bar)

**Fluid Pressure Range:** 20-120psi(1.4-8.3bar)

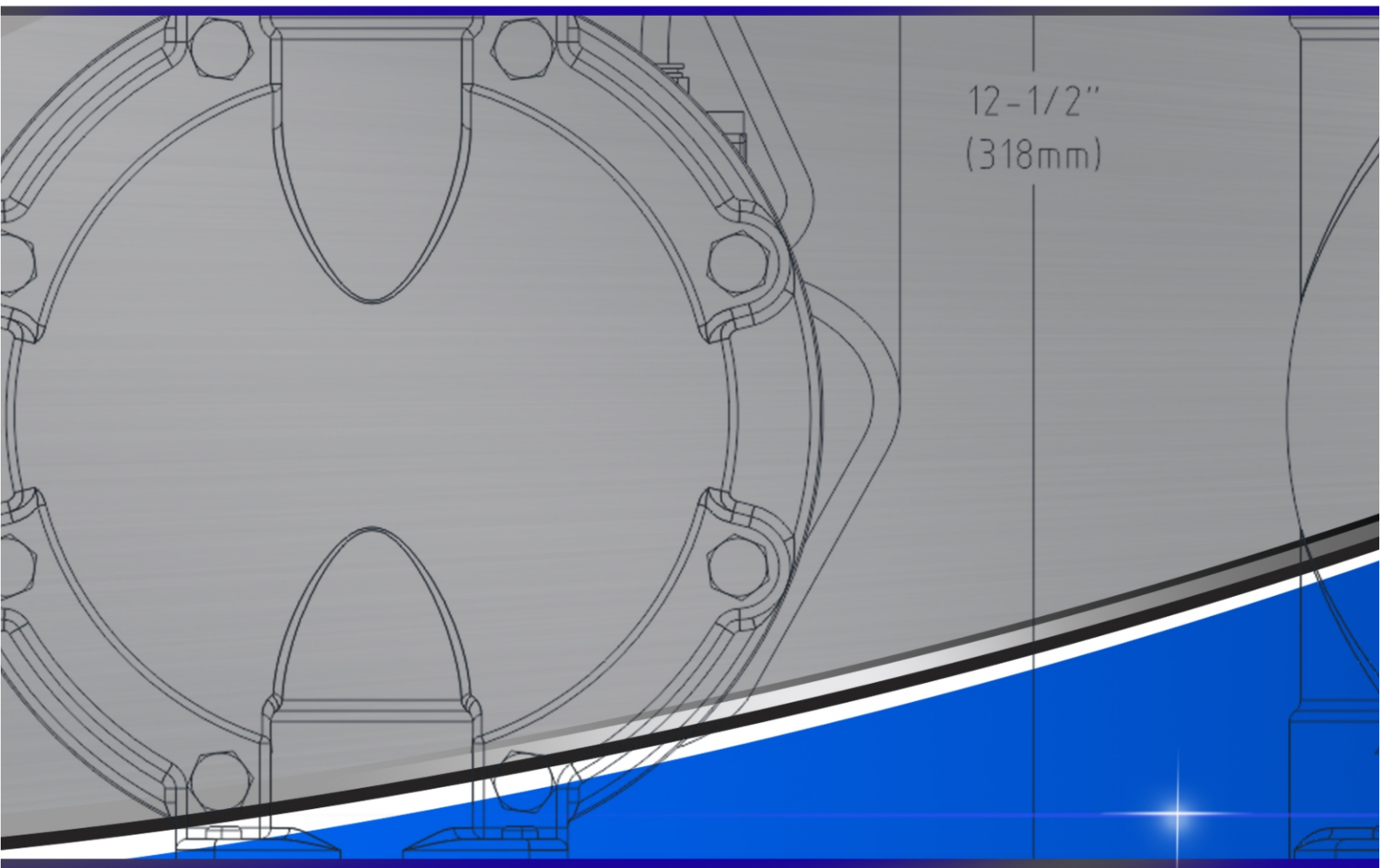
**Suspended Solids Max. Dia.:** 40mm

**Maximum Dry Suction Lift:** 19feet(5.8m)

#### Weight:

aluminum-32kgs;

stainless steel-64.5kgs;



Address: No.125-16 Tieqishan Road, Xifuzhen Subdistrict,  
Chengyang District, Qingdao, Shandong, China

Tel : +86 -532 -66731226

Fax: +86-532-66731227

Mobile: +86-15192098891

E-Mail: [sales@nuodeanpump.com](mailto:sales@nuodeanpump.com)

[info@nuodeanpump.com](mailto:info@nuodeanpump.com)

SN: NUODEAN-EN-DP-202305



**QINGDAO NUODEAN PUMP CO., LTD**