

HEAVY DUTY FLAP-VALVE PUMP

MODEL:DP37-XXXXXXX

The Nuodean's Heavy duty diaphragm pump is designed to pump fluids containing solids up to 2 inches(50mm) in diameter. Built on the foundation of the DP Series line of pumps, the Heavy duty pumps features Nuodean's patented Stall-free/lube-free Air Valve and rugged, easy-to-service bolted construction.

THIS PUMP ADAPT INNOVATIVE DESIGNES:

- The passage of fluid is horizontal, not vertical.
 - Fluid is easier to pass through.
 - Easier to repair or maintain.
 - No accumulation of fluid.
- Swing check valve is adopt.
 - Better passing ability for fluid
 - Easier to repair or maintain.
 - Longer lifetime.
 - modularized



Plus.... All the benefits of every NUODEAN PUMP

- Patented Non-lubricated & stall-free Air-Valve.
- Bolted Construction
- Faster trip-over, with less pulsation & more flow.
- Both of Main air valve & Pilot air valve adapt ceramic seals, with longer lifetime.
- Anti-icing design.



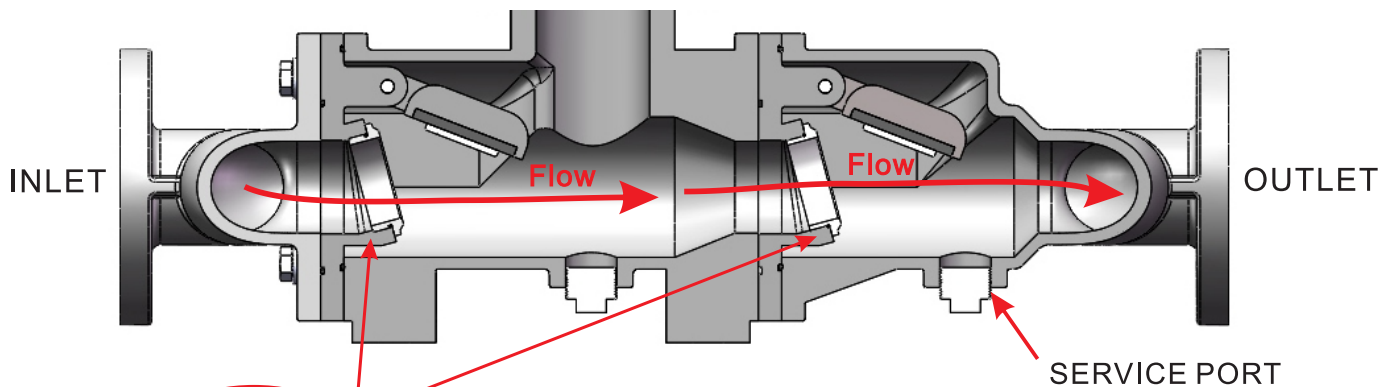
For stainless steel material:good solution for the food industry

HEAVY DUTY FLAP-VALVE PUMP

MODEL:DP37-XXXXXXX

DESIGN FEATURES:

- Heavy-duty Swing Flap Check valve permits passage of up to 2 inch solids, longer lifetime, modularized.
- Easy access to valve chamber for ease of maintenance.
- In-line maintenance facilitates servicing pump without removal from installation.
- Horizontal constructure from suction to discharge keeps solids from settling in pump.
- Fluid is easier to pass through, due to Horizontal constructure from suction to discharge.
- Better passing ability for fluid, due to Horizontal constructure from suction to discharge.
- Easier to repair or maintain.



Heavy-duty, modularized Swing Flap Check valve

Disc with resilient seal

- Larger Opening
- Better sealing effect

SS seats

- Corrosion resisting
- Replaceable
- Better sealing effect

MODEL DESCRIPTIONS:

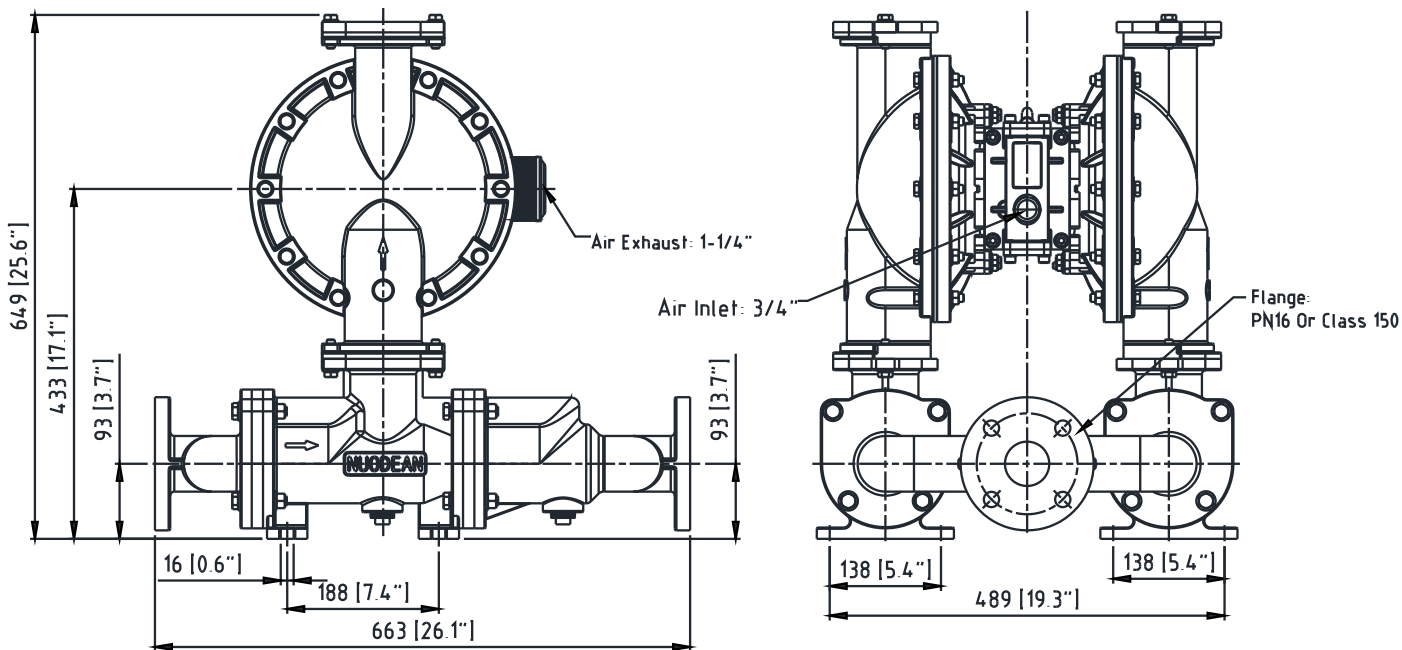
DP37	-	50	X	X	X	X	X
		PumpSize	CenterBody Mat.	FluidCaps ManifoldMat.	Diaphragm Material	Fluid Connections	Hardware

Pump Size	50-2"						
CenterBody Mat.	A-Aluminum			C-CastIron			
FluidCaps ManifoldMat.	A - Aluminum			S -StainlessSteel		C-CastIron	
Seat Material	1 - Aluminum		2 - 316StainlessSteel		4-PVDF(Kynar)		5-CarbonSteel
	E-Santoprene		8-HardStainlessSteel		9-HytreI		G-Nitrile
BallCheck Material	2-Nitrile		C-HytreI		4-PTFE		E-Santoprene
Diaphragm Material	2-Nitrile		4-PTFE/Santoprene		9-HytreI		B-Santoprene
FluidConnections	N-NPTThreads		F-FlangeANSI150		B-BSPTThreads		F-FlangePN10/PN16
Hardware	S-StainlessSteel				C-CarbonSteel		

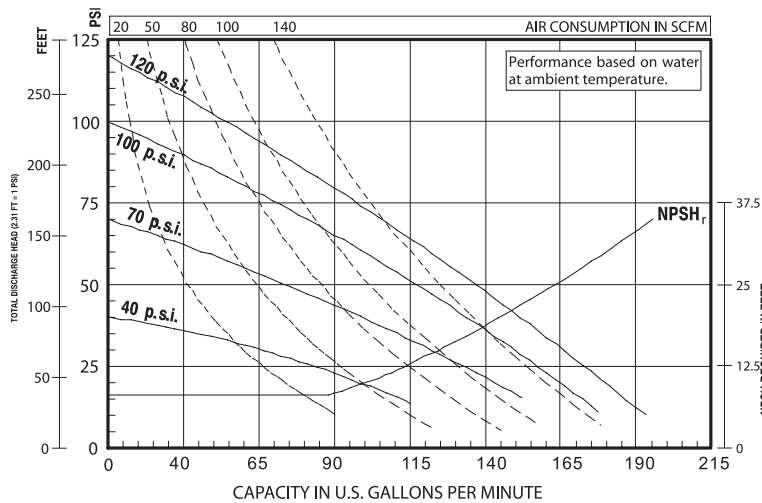
HEAVY DUTY FLAP-VALVE PUMP

MODEL:DP37-XXXXXXX

DIMENSIONS:



PERFORMANCE CURVES:



SPECIFICATIONS:

Air Inlet(Female):

3/4"BSPT(3/4"NPT Available On Request)

Fluid Outlet:

Flange: 2" ANSI Class 150 /DN50 PN10

Fluid Inlet(Female):

Flange: 2" ANSI Class 150 /DN50 PN10

Maximum Flow Rate: 172GPM(651LPM)

Max. Operating Pressure: 120psi(8.3bar)

Fluid Pressure Range: 20-120psi(1.4-8.3bar)

Suspended Solids Max. Dia.: 2"(50mm)

Maximum Dry Suction Lift: 27.2feet(8.3m)

Weight: 130kgs

