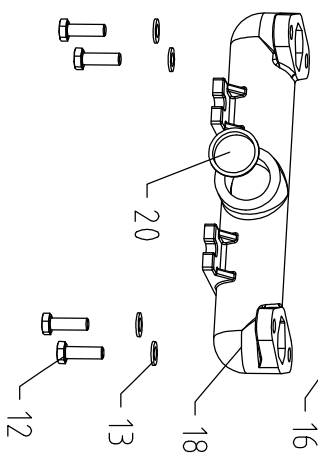


When the pump shaft (part 1) is inserted into the pump body, the cylindrical surface at the insertion end shall be coated with white grease.

The hexagon head bolt (part 8) shall be coated with thread locking glue (medium strength). When tightening, the force shall not be too large, but sufficient tightening shall be ensured.

When tightening the hexagon head bolt (part 11), the force should not be too large, but enough tightening should be ensured.



1	2	3	4	5	6	7	8
1	2	3	4	5	6	7	8
F	E	D	C	B	A	F	E

1"DP11 Metallic Diaphragm Pump (DP11-25BXXXXXXXX)		NUODEAN PUMP CO., LTD	
<b>Fluid Section</b>			
标记	页数	分区	更改文件号
设计			标准化
审核			批准
工艺			
		签名	日期
		标识标记	质量
			比例 1.5:1
共 张		第 张	
7		8	



1"DP11 Metallic Diaphragm Pump(DP11-25BXXXXXX)					
Part List Of Fluid Section					
Position	Part Name	Part No.	Material	Quantity	
1	Rod	NDA-PD66	Stainless Steel	1	
2	O Ring	Y328-14	PTFE	4	
3	Plate-air side	93441-2	Carbon Steel	2	
4	Backer Diaphragm	92973-B	Green Santoprene	2	Used as a backer when No. 5 is PTFE(white) Diaphragm
5	Diaphragm	90533-1	Neoprene	2	
		90533-2	Nitrile	2	
		90533-3	Viton	2	
		93459-4	PTFE(white)	2	
		90533-9	Hytrel	2	
		90533-B	Yellow Santoprene	2	
6	Plate-Fluid side	93441-1	Stainless Steel	2	
7	Washer	NDA-PN70	Stainless Steel	2	
8	Bolt	NDA-PX20	Stainless Steel	2	
9	Fluid Cap	94945	Aluminum	2	
		97615	Stainless Steel	2	
		94277	Cast Iron	2	
10	Washer	NDA-PX21	Carbon Steel	16	
		NDA-PX22	Stainless Steel	16	
11	Bolt	NDA-PX23	Carbon Steel	16	
		NDA-PX24	Stainless Steel	16	
12	Bolt	NDA-PX25	Carbon Steel	8	
		NDA-PX26	Stainless Steel	8	
13	Washer	NDA-PX21	Carbon Steel	8	
		NDA-PX22	Stainless Steel	8	
14	Outlet Manifold	NDA-PC121	Aluminum	1	
		NDA-PC139	Stainless Steel	1	
		NDA-PC140	Cast Iron	1	
15	Ball (25.4)	90532-1	Neoprene	4	
		90532-2	Nitrile	4	
		90532-3	Viton	4	
		90532-4	PTFE	4	
		90532-8	PU	4	
		90948	Stainless Steel	4	
		90532-A	Santoprene	4	
16	O Ring	Y325-126	Nitrile	4	
		Y327-126	Viton	4	
		Y328-126	PTFE	4	
17	Seat	92008-1	Aluminum	4	
		90428-1	Stainless Steel	4	
		92926	Pol ypropel ene	4	
		95675-1	Carbon Steel	4	
18	Inlet Manifold	NDA-PC122	Aluminum	1	
		NDA-PC141	Stainless Steel	1	
		NDA-PC142	Cast Iron	1	
19	Nut	PX11	Carbon Steel	16	
		PX12	Stainless Steel	16	
20	Plastic Cap	NDA-PU01		2	
21	Plastic Cap	NDA-PU02		1	