

# 3" METALLIC AODD PUMPS

## SPECIFICATIONS:

**Air Inlet(female):** 3/4"BSPT(3/4"NPT Available On Request)

**Fluid Outlet:** Rp 3 (3" BSP,parallel)  
3" NPT

**Fluid Inlet:** Rp 3 (3" BSP,parallel)  
3" NPT

**Maximum Flow Rate:** 237 GPM(897 LPM)

**Max. Operating Pressure:** 120psi(8.3 bar)

**Suspended Solids Max. Dia.:** 3/8"(9.5mm)

**Maximum Dry Suction Lift:** 17.6feet(5.4m)

**Weight:** aluminum-109.8 lbs(49.8kg);  
stainless steel-222.2 lbs(100.79kg);  
cast iron-213.1 lbs(96.7kg);

**Sound Level:**70psi 60 cycles/min. 86.3 db(A)



## MODEL DESCRIPTION & ORDERING:

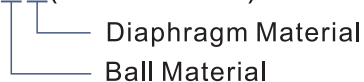
DP31	-	80	X	X	X	X	X	X	X
		Pump Size	Center Body Mat.	Fluid Caps Manifold Mat.	Seat Material	Ball Check Material	Diaphragm Material	Fluid Connections	Hardware
		80-3"	A-Aluminum		C-Cast Iron				
			A - Aluminum		S -Stainless Steel		C-Cast Iron		
			1 - Aluminum		2 - 316 Stainless Steel		4-PVDF(Kynar)		5-Carbon Steel
			E-Santoprene		8-Hard Stainless Steel		9-Hytrel		G-Nitrile
			2-Nitrile		C-Hytrel		4-PTFE		E-Santoprene
			2-Nitrile		4-PTFE/Santoprene		9-Hytrel		B-Santoprene
			N-NPT Threads			B-BSP Threads			
			S-Stainless Steel			C-Carbon Steel			

## ACCESSORIES:

### Service Repair Kits:

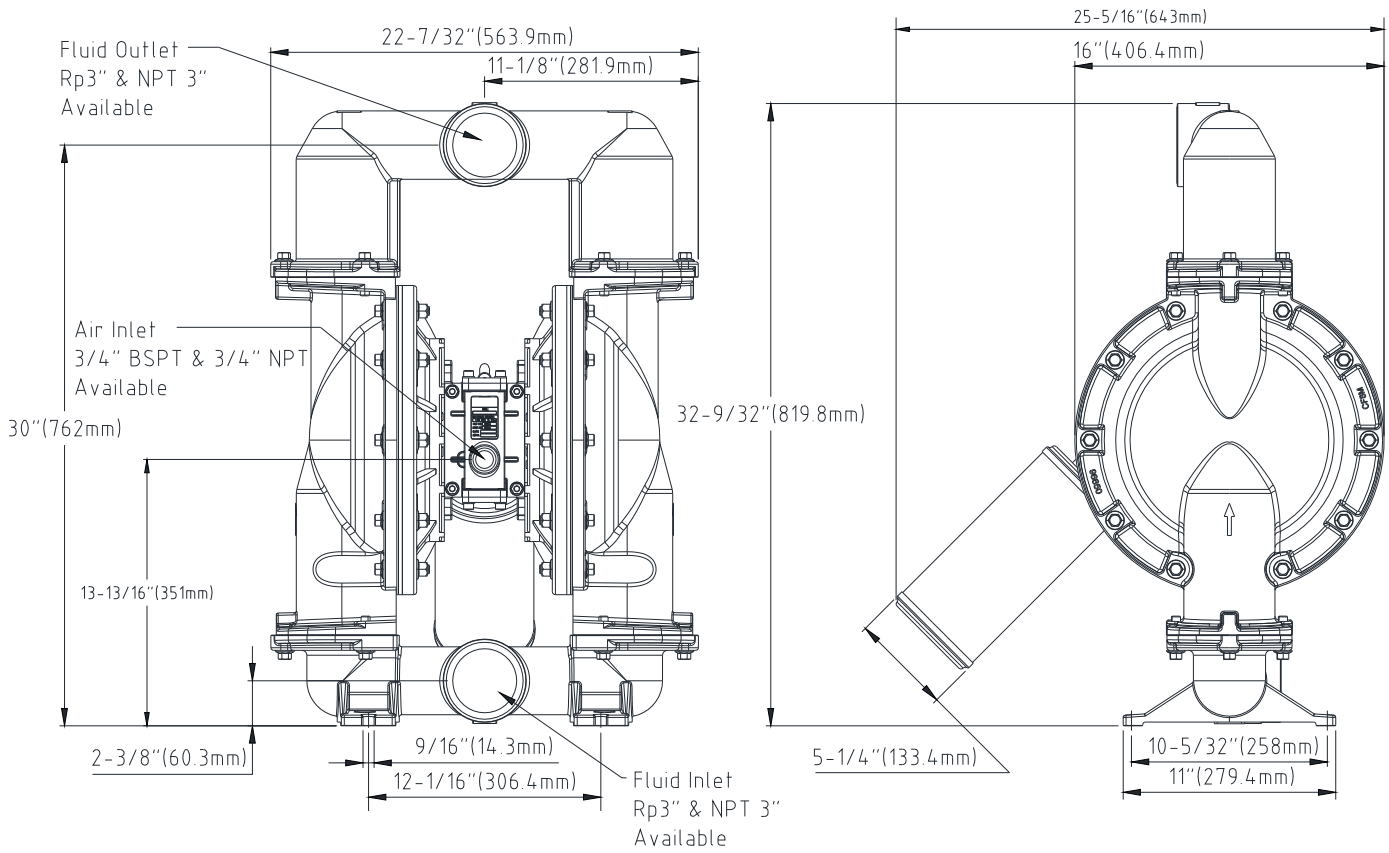
DP31-Air80(air section)

DP31-Flu80 - XX(fluid section)



# 3" METALLIC AODD PUMPS

## DIMENSIONS:



Dimensions shown are for reference only, they are displayed in inches and millimeters (mm).

## PERFORMANCE CURVE:

