

## 2" NON-METALLIC AODD PUMPS

### SPECIFICATIONS:

**Air Inlet(female):** 3/8"BSPT(3/8"NPT Available On Request)

**Fluid Outlet:** 2" ANSI/DIN Flange

**Fluid Inlet:** 2" ANSI/DIN Flange

**Maximum Flow Rate:** 145GPM(548.8LPM)

**Max. Operating Pressure:** 120psi(8.3bar)

**Suspended Solids Max. Dia.:** 1/4"(6.4mm)

**Maximum Dry Suction Lift:** 14feet(4.27m)

**Weight:** 62 lbs(28.1kg)

**Sound Level:**70psi 60 cycles/min. 77.7db(A)



### MODEL DESCRIPTION & ORDERING:

DP31	-	50	X	X	X	X	X	X	X
		Pump Size	Center Body Mat.	Fluid Caps Manifold Mat.	Seat Material	Ball Check Material	Diaphragm Material	Fluid Connections	Hardware

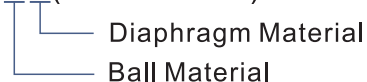
Pump Size	50-2"								
Center Body Mat.	A-Aluminum				B-Cast Iron				
Fluid Caps Manifold Mat.	3 - Grey Polypropylene Flange (3-piece manifold)				P - Colorless Polypropylene Flange (3-piece manifold)			4 - PVDC (Kynar) Flange (3-piece manifold)	
Seat Material	2 - 316 Stainless Steel		3 - Polypropylene		4 - PVDF (Kynar		8 - Hard 440 Stainless Steel		
Ball Check Material	1 - Neoprane		2 - Nitrile		3 - Viton		4 - PTFE		
	5 - E.P.R.		8 - Polyurethane		C - Hytrel		E - Santoprene		
Diaphragm Material	1- Neoprene		2- Nitrile		3 - Viton		4 - PTFE / Santoprene		
	5 - E.P.R.		6 - Composite PTFE		9 - Hytrel		B - Santoprene		
Fluid Connections	F-ANSI 150 Flange								
Hardware	S-Stainless Steel								

### ACCESSORIES:

#### Service Repair Kits:

DP31-Air40(air section)

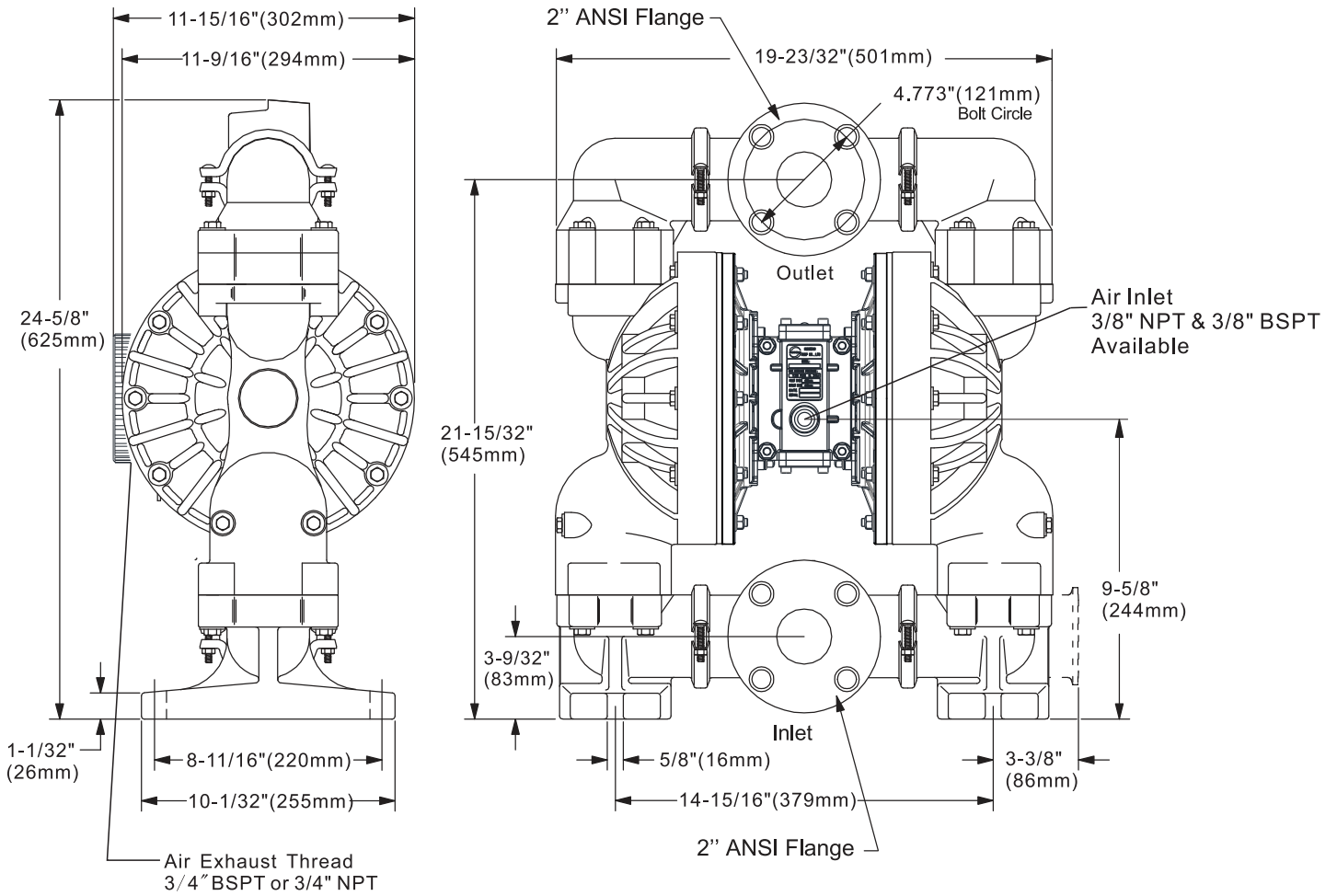
DP31-Flu40P-XX(fluid section)



# 2" NON-METALLIC AODD PUMPS

## DIMENSIONS:

All dimensions are given in inches and millimeters (mm).



## PERFORMANCE CURVE:

