



**1-1/2" PLASTIC AIR OPERATED DOUBLE DIAPHRAGM PUMP**

Rev.A

Model: DP11-40BPXXXXXX

**◆SPECIFICATIONS:**

**Air Inlet(Female):** 3/8"BSPT(3/8"NPT Available On Request)

**Fluid Outlet:** 1-1/2" ANSI/DIN Flange

**Fluid Inlet:** 1-1/2" ANSI/DIN Flange

**Maximum Flow Rate:** 124GPM(469LPM)

**Max. Operating Pressure:** 120psi(8.3bar)

**Fluid Pressure Range:** 20-120psi(1.4-8.3bar)

**Suspended Solids Max. Dia.:** 1/4"(6.4mm)

**Maximum Dry Suction Lift:** 14 feet(4.27m)

**Weight:** 70 lbs(32kg)

**Sound Level:** 70PSI 60 Cycles/Min 80.6db(A)



**◆PRODUCT ADVANTAGES:**

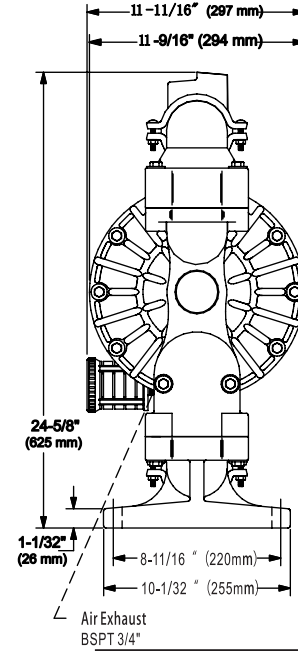
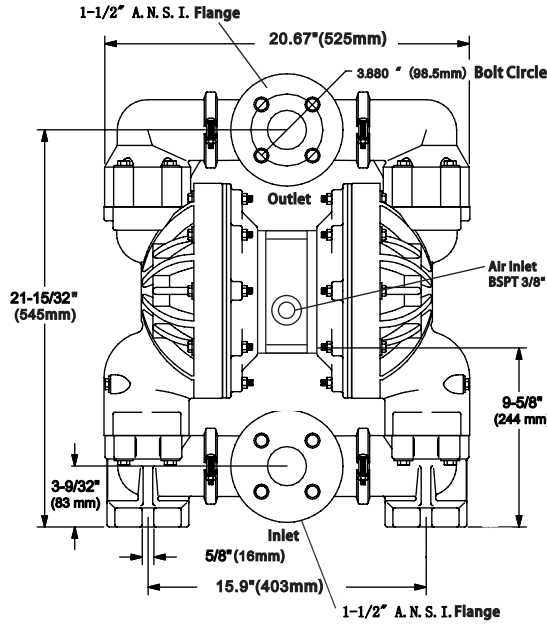
1. Stall-free Design.
2. Self-lubricating,lube-free and maintenance-free air system.
3. More flow and less pulsation:Pilot Air-distribution Valve provides an positive,reliable,faster shif signal that avoids stall-out,and provides faster pump trip-over with more flow and less pulsation.
4. The use of dual ceramic dynamic seals:More wear-resisting and to prevent & discharge pollution;Applicable to the harsh environment of air source;Long lifetime.
5. Big flow Rate:Faster pump reversing increases flow to a certain extent.
6. Anti-icing design:With built-in vacuum pump chamber,it is anti-icing and effectively reduces the discharge air pressure and noise from work.

**◆MODEL DESCRIPTIONS & ORDERING:**

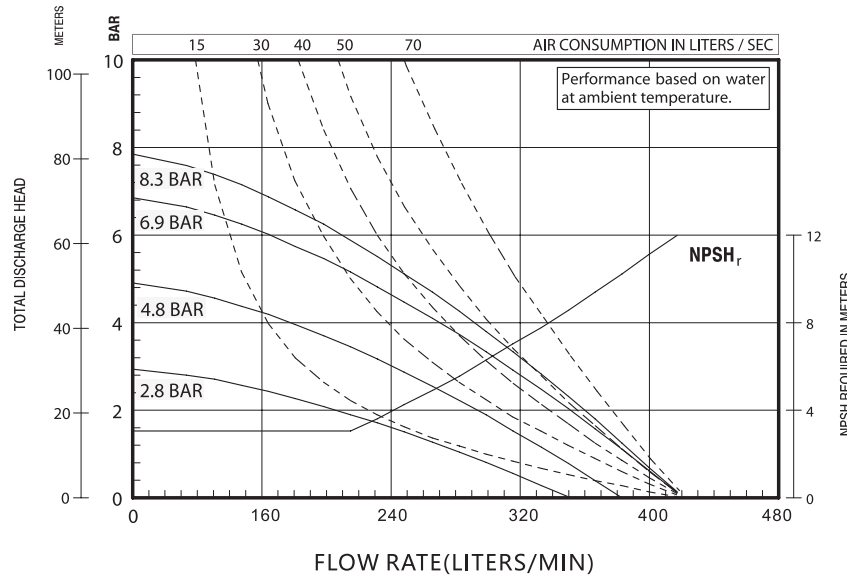
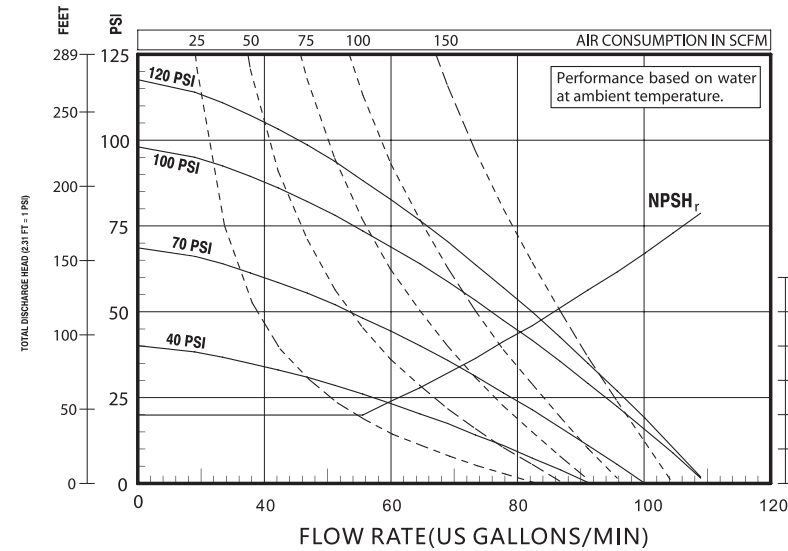
Model	DP11	-	40	B	P	X	X	X	X	X	X	
	Product Series		Pump Size	Check Valve Type	Wetted Parts	Diaphragm Material	Check Valve Ball	Check Valve Seat	Center Section	Fluid Connections	Hardware	
Pump Size	25-1" 40-1/2" 50-2"											
Check Valve Type	B-Ball											
Wetted Parts	A-Aluminum				I-Ductile Iron			S-Stainless Steel		H-Alloy C		<b>P-PP</b>
Diaphragm Material	1-Neoprene				2-Nitrile			3-Viton		4-PTFE/Santoprene		
	5-EPDM				6-Composite PTFE			7-Santoprene		8-Hytrel		
Check Valve Ball	1-Neoprene				2-Nitrile			3-Viton		4-PTFE		
	5-EPDM				6-Acetal			7-Polyurethane		8-Stainless Steel		
	9-Hytrel				B-Santoprene			A-Alumimum				
Check Valve Seat	1-Aluminum				2-316 Stainless Steel			3-Polypropylene		4-Kynar PVDF		
	5-Carbon Steel				6-Nylon			7-Hard 440 Stainless Steel				
Center Section	A-Aluminum				I-Ductile Iron			S-Stainless Steel		H-Alloy C		
Fluid Connections	N-NPT Threads				B-BSPT Threads			F-ANSI 150 Flange		G-PN16/PN10 Flange		
Hardware	C-Carbon Steel Galvanized				S-Stainless Steel							



**◆DIMENSIONS:**



**◆PERFORMANCE CURVES:**



**◆REPAIR/SERVE KITS:**

Pump Model:

DP11-25BP   XXXX

Fluid Section Service Kit:

SERVE225F-

Diaphragm Material

Ball Material

EXAMPLE:

If pump model: DP11-25BP44XXXX,

so fluid section service kit is:

SERVE225F-44

**Air Section Service Kit:**

SERVE225A