

# 1" DP31 METALLIC AODD PUMPS



## SPECIFICATIONS:

**Air Inlet(female):** 1/4"BSPT(1/4"NPT Available On Request)

**Fluid Outlet:** Rp 1 (1-11 BSP,parallel)  
1-11 1/2 NPT

**Fluid Inlet:** Rp 1 (1-11 BSP,parallel)  
1-11 1/2 NPT

**Maximum Flow Rate:** 35 GPM(133 LPM)

**Max. Operating Pressure:** 120psi(8.3 bar)

**Suspended Solids Max. Dia.:** 1/8"(3.2mm)

**Maximum Dry Suction Lift:** 20feet(6.1m)

**Weight:** aluminum-19 lbs(8.6kg);  
stainless steel-36 lbs(16.3kg);  
cast iron-31 lbs(14.1kg);

**Sound Level:**70psi 60 cycles/min. 64.5db(A)

## MODEL DESCRIPTION & ORDERING:

DP31	-	25	X	X	X	X	X	X	X
		Pump Size	Center Body Mat.	Fluid Caps Manifold Mat.	Seat Material	Ball Check Material	Diaphragm Material	Fluid Connections	Hardware

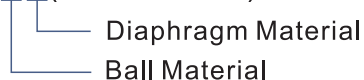
Pump Size	25-1"								
Center Body Mat.	A-Aluminum					C-Cast Iron			
Fluid Caps Manifold Mat.	A - Aluminum					S -Stainless Steel		C-Cast Iron	
Seat Material	1 - Aluminum			2 - 316 Stainless Steel		3-Polypropylene		4-PVDF(Kynar)	
	5-Carbon Steel			8-Hard 400 Stainless Steel					
Ball Check Material	1-Neoprene			2-Nitrile		3-Viton		4-PTFE	
	5-E.P.R			6-Acetal		8-Polyurethane		A-Stainless Steel	
	C-Hytrel					E-Santoprene			
Diaphragm Material	1-Neoprene			2-Nitrile		3-Viton		4-PTFE/Santoprene	
	5-E.P.R			6-Acetal		9-Hytrel		B-Santoprene	
	G-Nitrile								
Fluid Connections	N-NPT Threads					B-BSP Threads			
Hardware	S-Stainless Steel					C-Carbon Steel			

## ACCESSORIES:

### Service Repair Kits:

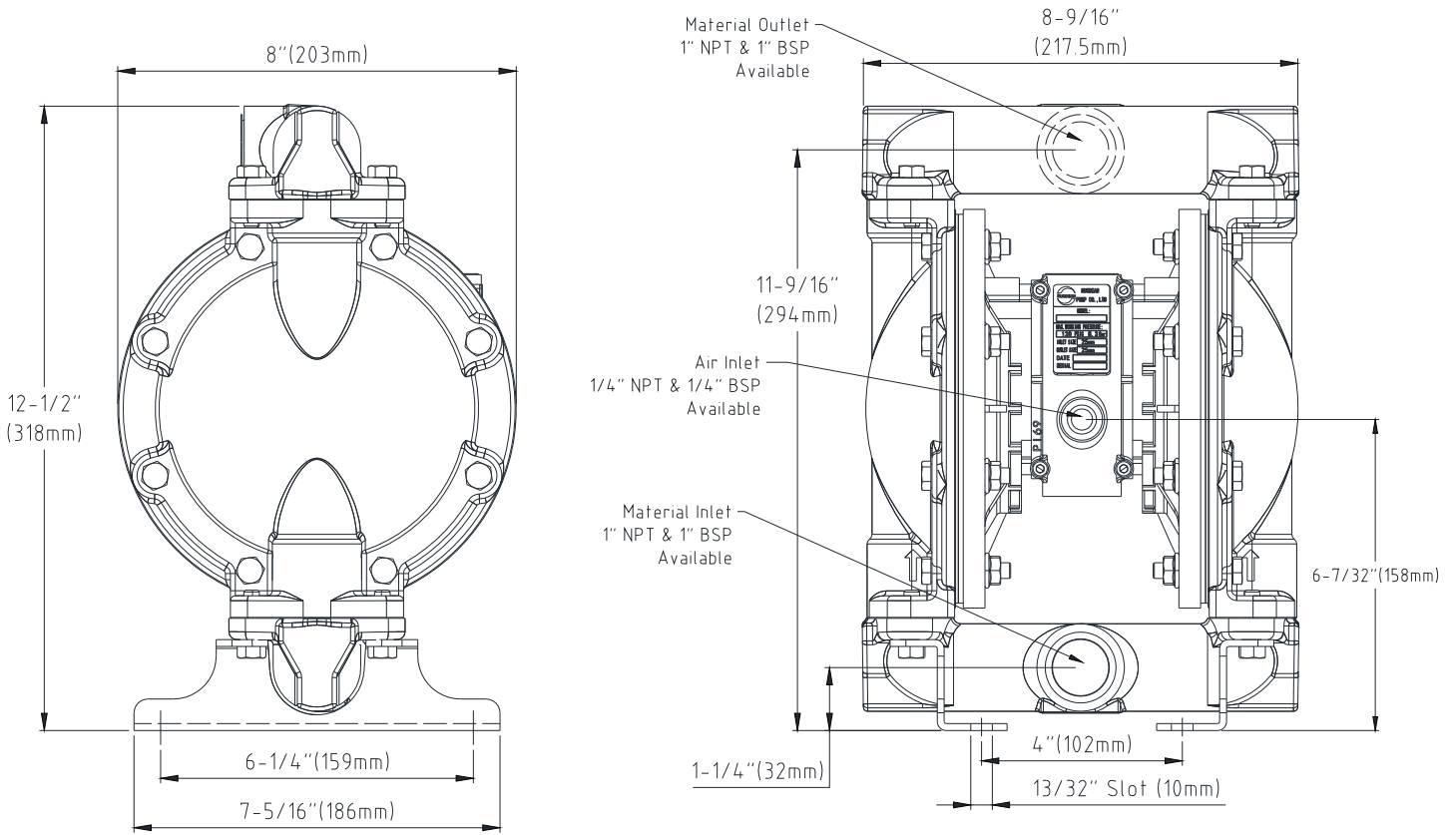
DP31-Air25(air section)

DP31-Flu25 - XX(fluid section)



# 1" DP31 METALLIC AODD PUMPS

## DIMENSIONS:



Dimensions shown are for reference only, they are displayed in inches and millimeters (mm).

## PERFORMANCE CURVE:

