

# 1" NON-METALLIC AODD PUMPS

## SPECIFICATIONS:

**Air Inlet(female):** 1/4"BSPT(1/4"NPT Available On Request)

**Fluid Outlet(female):** BSP1", 1"NPT , Or 1" ANSI/DIN Flange

**Fluid Inlet(female):** BSP 1", 1"NPT , Or 1" ANSI/DIN Flange

**Maximum Flow Rate:** 47GPM(177.9LPM)

**Max. Operating Pressure:** 120psi(8.3bar)

**Suspended Solids Max. Dia.:** 1/8"(3.2mm)

**Maximum Dry Suction Lift:** 15feet(4.6m)

**Weight:** 20.3 lbs(9.2kg)

**Sound Level:**70psi 60 cycles/min. 64.5db(A)



## MODEL DESCRIPTION & ORDERING:

DP31	-	25	X	X	X	X	X	X	X
		Pump Size	Center Body Mat.	Fluid Caps Manifold Mat.	Seat Material	Ball Check Material	Diaphragm Material	Fluid Connections	Hardware

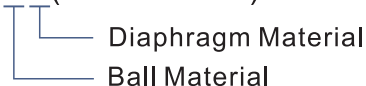
Pump Size	25-1"								
Center Body Mat.	A-Aluminum					B-Cast Iron			
Fluid Caps Manifold Mat.	3 - Polypropylene Flange (3-piece manifold)			4 - PVDC (Kynar) Flange (3-piece manifold)		F - Colorless polypropylene Flange(one - piece manifold)		G - PVDF (Kynar) Flange (one - piece manifold)	
	P - Grey Polypropylene Flange (3-piece manifold)			J - Colorless Polypropylene, N.P.T. (one - piece manifold)		L - Colorless Polypropylene, B.S.P. (one - piece manifold)			
Seat Material	2 - 316 Stainless Steel			3 - Polypropylene		4 - PVDF (Kynar		8 - Hard 440 Stainless Steel	
Ball Check Material	1 - Neoprane			2 - Nitrile		3 - Viton		4 - PTFE	
	5 - E.P.R.			8 - Polyurethane		C - Hytrel		E - Santoprene	
Diaphragm Material	1- Neoprene			2- Nitrile		3 - Viton		4 - PTFE / Santoprene	
	5 - E.P.R.			6 - Composite PTFE		9 - Hytrel		B - Santoprene	
Fluid Connections	F-ANSI 150 Flange			N-NPT Threads		B-BSP Threads			
Hardware	S-Stainless Steel								

## ACCESSORIES:

### Service Repair Kits:

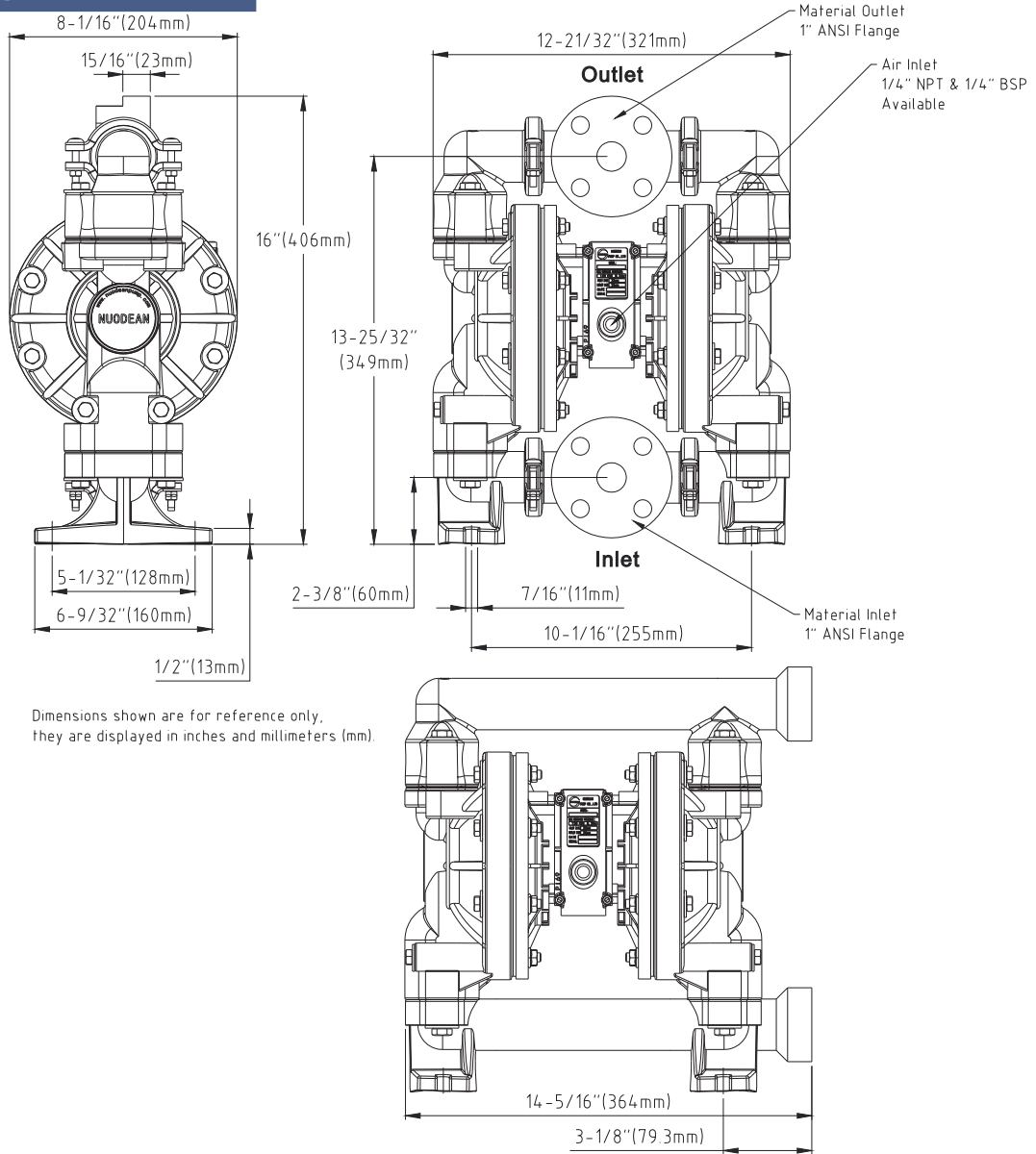
DP31-Air25(air section)

DP31-Flu25P-XX(fluid section)



# 1" NON-METALLIC AODD PUMPS

## DIMENSIONS:



## PERFORMANCE CURVE:

